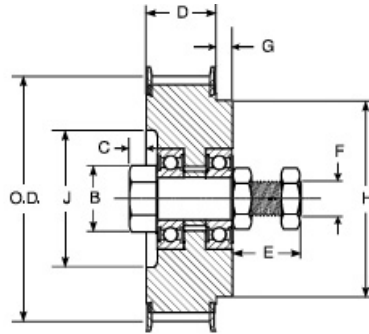




## Idler Sprockets



### Poly Chain® GT Carbon™ Idler Dimensions

Part No.	Product No.	Use With	Size Designation	Belt Wth (mm)	No. of Teeth	O.D. (In)	B Ref. (In)	C (In)	D (In)	E Ref. (In)	F (Threads) (In)	G Ref. (In)	H (In)	J (In)	Wt. (lb)
12-IDL-SPRK	7720-1500	8mm Pitch	8MX-32S-12	12	32	3.145	1.25	0.50	0.85	1.56	3/4-16	0.94	2.75	-	1.0
21-IDL-SPRK	7720-1510	8mm Pitch	8MX-32S-21	21	32	3.145	1.25	0.50	1.24	1.56	3/4-16	0.56	2.75	-	1.1
36-IDL-SPRK	7720-1520	Poly Chain	8MX-36S-36	36	36	3.546	1.91	0.75	1.86	1.63	3/4-16	-	-	-	2.0
62-IDL-SPRK	7720-1530	GT Carbon	8MX-36S-62	62	36	3.546	1.91	0.75	2.91	1.69	3/4-16	0.69	3.13	-	2.1
20-IDL-SPRK	7720-1600	14mm Pitch	14MX-30S-20	20	30	5.153	2.55	1.00	1.36	2.25	1-14	1.00	4.38	-	9.0
37-IDL-SPRK	7720-1610	14mm Pitch	14MX-30S-37	37	30	5.153	2.55	1.00	2.06	2.25	1-14	0.25	4.38	-	12.0
68-IDL-SPRK	7720-1620	14mm Pitch	14MX-34S-68	68	34	5.855	3.38	0.56	3.33	2.25	1-14	1.00	4.88	4.34	15.6
90-IDL-SPRK	7720-1640	Poly Chain	14MX-34S-90	90	34	5.855	3.38	0.31	4.20	2.25	1-14	1.00	4.88	4.34	16.7
125-IDL-SPRK	7720-1630	GT Carbon	14MX-34S-125	125	34	5.855	3.38	0.19	5.63	2.25	1-14	1.09	4.88	4.34	23.1

### Nickel Plate Poly Chain® GT Carbon™ Idler Dimensions

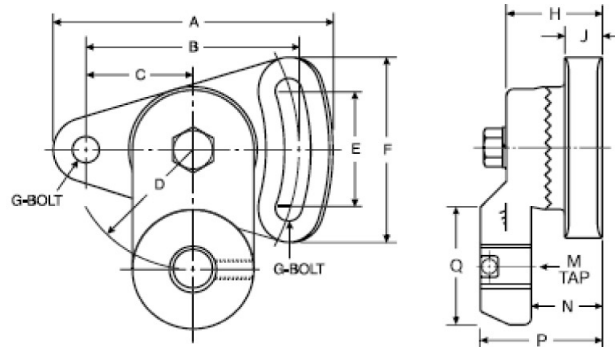
Part No.	Product No.	Use With	Size Designation	Belt Wth (mm)	No. of Teeth	O.D. (In)	B Ref. (In)	C (In)	D (In)	E Ref. (In)	F (Threads) (In)	G Ref. (In)	H (In)	J (In)	Wt. (lb)
NP-12-IDL-SPRK	7720-1501	8mm Pitch	8MX-32S-12	12	32	3.145	1.25	0.50	0.85	1.56	3/4-16	0.94	2.75	-	1.0
NP-21-IDL-SPRK	7720-1511	Poly Chain	8MX-32S-21	21	32	3.145	1.25	0.50	1.24	1.56	3/4-16	0.56	2.75	-	1.1
		GT Carbon													

### PowerGrip® GT®2 Idler Dimensions

Part No.	Product No.	Use With	Size Designation	Belt Wth (mm)	No. of Teeth	O.D. (In)	B Ref. (In)	C (In)	D (In)	E Ref. (In)	F (Threads) (In)	G Ref. (In)	H (In)	J (In)	Wt. (lb)
20-SPK2-IDL	7720-1740	8mm Pitch	32S-8MGT-20	20	32	3.154	1.25	0.50	1.24	1.56	3/4-16	0.56	2.75	-	1.10
30-SPK2-IDL	7720-1750	PowerGrip	36S-8MGT-30	30	36	3.555	1.91	0.75	1.86	1.63	3/4-16	-	-	-	2.00
		GT2													
40-SPK2-IDL	7720-1850	14mm Pitch	30S-14MGT-40	40	30	5.153	2.55	1.00	2.06	2.25	1-14	0.25	4.38	-	12.00
55-SPL2-IDL	7720-1860	PowerGrip	34S-14MGT-55	55	34	5.855	3.38	0.56	3.33	2.25	1-14	1.00	4.88	4.34	15.60
		GT2													



## Idler Brackets and Bushings

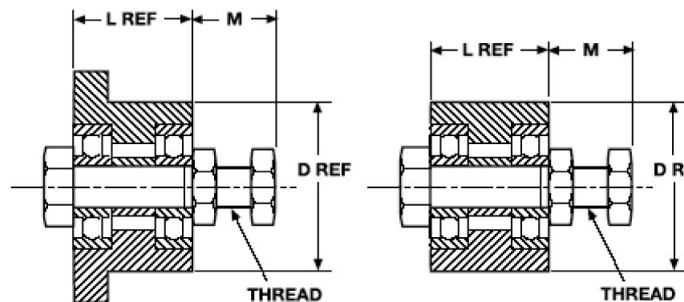


### Idler Bracket Specifications

Part No.	Tensioner Part No.	Use With	A (In)	B (In)	C (In)	D (In)	E (In)	F (In)	G (In)	H (In)	J (In)	M (Threads)	N (In)	P (In)	Q (In)	Weight (lb)
05-IDL-BRAK	7720-1005	1610-IDL-BUSH	4.62	3.50	1.75	2.00	2.06	3.06	0.38	1.63	0.62	5/8-18	1.16	2.01	2.00	2.80
10-IDL-BRAK	7720-1010	8mm Pitch Idler Sprockets 2012-IDL-BUSH 2517-IDL-BUSH 20-IDL-BUSH (SK)	4.63	3.50	1.75	2.00	2.06	3.06	0.38	1.50	0.56	3/4-16	1.00	1.88	1.75	3.40
20-IDL-BRAK	7720-1020	14mm Pitch Idler Sprockets 30-IDL-BUSH (SF) 40-IDL-BUSH (E)	6.94	5.25	2.63	5.00	3.00	4.56	0.63	2.38	1.00	1-14	1.63	2.94	2.75	11.20

### Nickel Plated Idler Bracket Specifications

Part No.	Tensioner Part No.	Use With	A (In)	B (In)	C (In)	D (In)	E (In)	F (In)	G (In)	H (In)	J (In)	M (Threads)	N (In)	P (In)	Q (In)	Weight (lb)
NP-10-IDL-BRAK	7720-1011	8mm Pitch Idler Sprockets 2012-IDL-BUSH 2517-IDL-BUSH 20-IDL-BUSH (SK)	4.63	3.50	1.75	2.00	2.06	3.06	0.38	1.50	0.56	3/4-16	1.00	1.88	1.75	3.40
NP-20-IDL-BRAK	7720-1061	14mm Pitch Idler Sprockets 30-IDL-BUSH (SF) 40-IDL-BUSH (E)	6.94	5.25	2.63	5.00	3.00	4.56	0.63	2.38	1.00	1-14	1.63	2.94	2.75	11.20



### Idler Bushings (Integral Shaft Included)

Product No.	Part No.	Use With Bracket	D (In)	L (In)	M (In)	Threads	Weight (lb)
7720-2610	1610-IDL-BUSH	05-IDL-BRAK	2.25	1.00	1.38	5/8-18	1.30
7720-2012	2012-IDL-BUSH	10-IDL-BRAK	2.75	1.25	1.56	3/4-16	2.30
7720-2517	2517-IDL-BUSH	10-IDL-BRAK	3.38	1.75	1.56	3/4-16	3.90
7720-1120	20-IDL-BUSH	(SK)10-IDL-BRAK	2.81	1.94	1.44	3/4-16	4.10
7720-1130	30-IDL-BUSH	(SF)20-IDL-BRAK	3.13	2.08	2.13	1-14	6.40
7720-1140	40-IDL-BUSH	(E)20-IDL-BRAK	3.83	2.75	2.19	1-14	8.60