



Poly Chain® GT®2 Sprockets

Markets/Applications

Use with Poly Chain GT2, Poly Chain GT or Poly Chain GT Carbon™ Belts.

Features/Advantages

- Full split in bushing allows easy installation and removal.
- Precise sprocket design produces positive, press fit to shaft.
- Smaller, narrower sprockets save shaft space, keep the load closer to bearing and extend life of reducer.
- Poly Chain GT2 Sprockets keep overhung load below manufacturers recommendation.
- Sprockets are precision manufactured and static balanced.



Notes

Sprocket part numbers are comprised of pitch, number of grooves and width. For example; part number 8MX-48S-12 denotes 8mm pitch, 48 grooves, "S" for sprocket and 12mm width.

On a sprocket, pitch is the distance between groove centers and is measured on the pitch circle of the sprocket. The pitch circle of the sprocket coincides with the pitch line of the belt mating with it. The pitch diameter of the sprocket is always greater than its outside diameter.

Abbreviations used for sprocket materials: GI=Gray Iron, DI=Ductile Iron, SiS=Sintered Steel, CI=Cast Iron.

WARNING: Do **NOT** use these sprockets with rim speeds in excess of 6,500 fpm.

SYNCHRONOUS METAL

Product No. Series 7715 & 7718

8mm Pitch Sprockets — For Belts 12mm Wide

Part No.	Product No.	No. of Grooves	Pitch Dia. (In.)	Wt. Ea. (Lbs.)	Material	Bore or Bushing	Bore Range (In.)
8MX-22S-12	7718-1022	22	2.206	.70	DI	1008	1/2 - 1
PB8MX-22S-12	7715-1222	22	2.206	.90	DI	MPB	1/2 - 1
8MX-25S-12	7718-1025	25	2.506	.75	GI	1108	1/2 - 1 1/8
PB8MX-25S-12	7715-1225	25	2.506	1.00	DI	MPB	1/2 - 1 1/2
8MX-26S-12	7718-1026	26	2.607	.60	CI	1108	1/2 - 1 1/8
8MX-27S-12	7718-1027	27	2.707	.70	CI	1108	1/2 - 1 1/8
8MX-28S-12	7718-1028	28	2.807	.91	GI	1108	1/2 - 1 1/8
PB8MX-28S-12	7715-1228	28	2.807	1.40	DI	MPB	1/2 - 1 3/4
8MX-29S-12	7718-1029	29	2.907	.90	CI	1108	1/2 - 1 1/8
8MX-30S-12	7718-1030	30	3.008	.98	GI	1108	1/2 - 1 1/8
PB8MX-30S-12	7715-1230	30	3.008	1.60	DI	MPB	1/2 - 1 1/8
8MX-31S-12	7718-1031	31	3.108	1.10	DI	1210	1/2 - 1 1/4
8MX-32S-12	7718-1032	32	3.208	1.23	DI	1210	1/2 - 1 1/4
PB8MX-32S-12	7715-1232	32	3.208	1.70	DI	MPB	1/2 - 2
8MX-33S-12	7718-1033	33	3.308	1.10	DI	1610	1/2 - 1 11/16
8MX-34S-12	7718-1034	34	3.409	1.31	DI	1610	1/2 - 1 11/16
8MX-35S-12	7718-1035	35	3.509	1.30	CI	1610	1/2 - 1 11/16
8MX-36S-12	7718-1036	36	3.609	1.15	SiS	1610	1/2 - 1 11/16
8MX-37S-12	7718-1037	37	3.709	1.60	GI	1610	1/2 - 1 11/16
8MX-38S-12	7718-1038	38	3.810	1.58	SiS	1610	1/2 - 1 11/16
8MX-39S-12	7718-1039	39	3.910	1.90	CI	1610	1/2 - 1 11/16
8MX-40S-12	7718-1040	40	4.010	1.94	SiS	2012	1/2 - 2 1/8
8MX-41S-12	7718-1041	41	4.110	2.30	DI	2012	1/2 - 2 1/8
8MX-42S-12	7718-1042	42	4.211	2.25	GI	2012	1/2 - 2 1/8
8MX-45S-12	7718-1045	45	4.511	2.50	SiS	2012	1/2 - 2 1/8
8MX-48S-12	7718-1048	48	4.812	2.66	GI	2012	1/2 - 2 1/8
8MX-50S-12	7718-1050	50	5.013	3.10	GI	2012	1/2 - 2 1/8
8MX-53S-12	7718-1053	53	5.314	3.80	GI	2012	1/2 - 2 1/8
8MX-56S-12	7718-1056	56	5.614	4.75	GI	2012	1/2 - 2 1/8
8MX-60S-12	7718-1060	60	6.015	5.02	GI	2012	1/2 - 2 1/8
8MX-63S-12	7718-1063	63	6.316	5.55	GI	2012	1/2 - 2 1/8
8MX-67S-12	7718-1067	67	6.717	6.00	GI	2012	1/2 - 2 1/8
8MX-71S-12	7718-1071	71	7.118	6.50	GI	2012	1/2 - 2 1/8
8MX-75S-12	7718-1075	75	7.519	6.98	GI	2012	1/2 - 2 1/8
8MX-80S-12	7718-1080	80	8.020	9.61	GI	2012	1/2 - 2 1/8





PowerGrip® Timing Pulleys

Product No. Series 7881 (continued)

1/2" Pitch (.500"/H) - Heavy Duty — For Belts 3" Wide

Part No.	Product No.	No. of Grooves	Pitch Dia. (In.)	Wt. Ea. (Lbs.)	Material	Bore or Bushing	Bore Range (In.)
TL16H300	7881-7096	16	2.546	2.23	GI	1108	1/2 - 1
TL18H300	7881-7033	18	2.865	2.69	GI	1215	1/2 - 1 1/4
TL20H300	7881-7037	20	3.183	3.59	GI	1215	1/2 - 1 1/4
TL22H300	7881-7040	22	3.501	3.96	GI	1615	1/2 - 1 5/8
TL24H300	7881-7044	24	3.820	3.96	GI	2012	1/2 - 2 1/8
TL26H300	7881-7048	26	4.138	4.86	GI	2012	1/2 - 2 1/8
TL28H300	7881-7052	28	4.456	6.75	GI	2012	1/2 - 2 1/8
TL30H300	7881-7097	30	4.775	7.88	GI	2012	1/2 - 2 1/8
TL32H300	7881-7098	32	5.093	8.21	GI	2517	1/2 - 2 11/16
TL40H300	7881-7099	40	6.366	18.06	GI	2517	1/2 - 2 11/16
TL48H300	7881-7100	48	7.639	21.88	GI	3020	7/8 - 3 1/3
TL60H300	7881-7101	60	9.549	25.41	GI	3020	7/8 - 3 1/4
TL72H300	7881-7102	72	11.459	40.50	GI	3020	7/8 - 3 1/4
TL84H300	7881-7103	84	13.369	41.95	GI	3020	7/8 - 3 1/4
TL96H300	7881-7104	96	15.279	77.00	GI	3535	7/8 - 3 1/4
TL120H300	7881-7105	120	19.099	81.49	GI	3535	7/8 - 3 1/4

SYNCHRONOUS METAL





Poly Chain® GT® 2 Sprockets

Product No. Series 7715 & 7718 (continued)

8mm Pitch Sprockets — For Belts 12mm Wide (continued)

Part No.	Product No.	No. of Grooves	Pitch Dia. (In.)	Wt. Ea. (Lbs.)	Material	Bore or Bushing	Bore Range (In.)
8MX-90S-12	7718-1090	90	9.023	9.38	GI	2012	1/2 - 2 1/8
8MX-112S-12	7718-1112	112	11.229	16.60	GI	2012	1/2 - 2 1/8
8MX-140S-12	7718-1140	140	14.036	17.30	GI	2012	1/2 - 2 1/8
8MX-180S-12	7718-1180	180	18.046	30.00	GI	2517	1/2 - 2 11/16
8MX-224S-12	7718-1224	224	22.457	41.20	GI	2517	1/2 - 2 11/16

8mm Pitch Sprockets — For Belts 21mm Wide

Part No.	Product No.	No. of Grooves	Pitch Dia. (In.)	Wt. Ea. (Lbs.)	Material	Bore or Bushing	Bore Range (In.)
8MX-22S-21	7718-2022	22	2.206	1.20	DI	1008	1/2 - 1
PB8MX-22S-21	7715-2022	22	2.206	1.10	DI	MPB	1/2 - 1 3/16
8MX-25S-21	7718-2025	25	2.506	1.60	GI	1108	1/2 - 1 1/8
PB8MX-25S-21	7715-2025	25	2.506	1.40	DI	MPB	1/2 - 1 1/2
8MX-26S-21	7718-2026	26	2.607	.80	GI	1108	1/2 - 1 1/8
8MX-27S-21	7718-2027	27	2.707	.90	GI	1108	1/2 - 1 1/8
8MX-28S-21	7718-2028	28	2.807	2.10	GI	1108	1/2 - 1 1/8
PB8MX-28S-21	7715-2028	28	2.807	1.80	DI	MPB	1/2 - 1 3/4
8MX-29S-21	7718-2029	29	2.907	1.00	GI	1108	1/2 - 1 1/8
8MX-30S-21	7718-2030	30	3.008	2.50	GI	1108	1/2 - 1 1/8
PB8MX-30S-21	7715-2030	30	3.008	2.20	DI	MPB	1/2 - 1 13/16
8MX-31S-21	7718-2031	31	3.108	1.10	GI	1210	1/2 - 1 1/4
8MX-32S-21	7718-2032	32	3.208	3.00	DI	1210	1/2 - 1 1/4
PB8MX-32S-21	7715-2032	32	3.208	2.50	DI	MPB	1/2 - 2
8MX-33S-21	7718-2033	33	3.308	1.10	DI	1610	1/2 - 1 11/16
8MX-34S-21	7718-2034	34	3.409	1.87	DI	1610	1/2 - 1 11/16
8MX-35S-21	7718-2035	35	3.509	1.30	GI	1610	1/2 - 1 11/16
8MX-36S-21	7718-2036	36	3.609	2.12	SiS	1610	1/2 - 1 11/16
8MX-37S-21	7718-2037	37	3.709	1.60	GI	1610	1/2 - 1 11/16
8MX-38S-21	7718-2038	38	3.810	2.02	SiS	1610	1/2 - 1 11/16
8MX-39S-21	7718-2039	39	3.910	1.90	GI	1610	1/2 - 1 11/16
8MX-40S-21	7718-2040	40	4.010	2.28	SiS	2012	1/2 - 2 1/8
8MX-41S-21	7718-2041	41	4.110	2.30	DI	2012	1/2 - 2 1/8
8MX-42S-21	7718-2042	42	4.211	2.50	GI	2012	1/2 - 2 1/8
8MX-45S-21	7718-2045	45	4.511	2.95	SiS	2012	1/2 - 2 1/8
8MX-48S-21	7718-2048	48	4.812	3.36	GI	2012	1/2 - 2 1/8
8MX-50S-21	7718-2050	50	5.013	4.04	GI	2012	1/2 - 2 1/8
8MX-53S-21	7718-2053	53	5.314	4.50	GI	2012	1/2 - 2 1/8
8MX-56S-21	7718-2056	56	5.614	4.94	GI	2012	1/2 - 2 1/8
8MX-60S-21	7718-2060	60	6.015	6.43	GI	2012	1/2 - 2 1/8
8MX-63S-21	7718-2063	63	6.316	7.73	GI	2012	1/2 - 2 1/8
8MX-67S-21	7718-2067	67	6.717	8.28	GI	2517	1/2 - 2 11/16
8MX-71S-21	7718-2071	71	7.118	8.75	GI	2517	1/2 - 2 11/16
8MX-75S-21	7718-2075	75	7.519	9.21	GI	2517	1/2 - 2 11/16
8MX-80S-21	7718-2080	80	8.020	9.81	GI	2517	1/2 - 2 11/16
8MX-90S-21	7718-2090	90	9.023	12.82	GI	2517	1/2 - 2 11/16
8MX-112S-21	7718-2112	112	11.229	19.40	GI	2517	1/2 - 2 11/16
8MX-140S-21	7718-2140	140	14.036	26.80	GI	2517	1/2 - 2 11/16
8MX-180S-21	7718-2180	180	18.046	36.60	GI	3020	7/8 - 3 1/4
8MX-224S-21	7718-2224	224	22.457	50.10	GI	3020	7/8 - 3 1/4

8mm Pitch Sprockets — For Belts 36mm Wide

Part No.	Product No.	No. of Grooves	Pitch Dia. (In.)	Wt. Ea. (Lbs.)	Material	Bore or Bushing	Bore Range (In.)
PB8MX-22S-36	7715-3022	22	2.206	1.00	DI	MPB	1/2 - 1 3/16
PB8MX-25S-36	7715-3025	25	2.506	1.30	DI	MPB	1/2 - 1 1/2
PB8MX-28S-36	7715-3028	28	2.807	1.50	DI	MPB	1/2 - 1 3/4



SYNCHRONOUS METAL



Poly Chain® GT®2 Sprockets

Product No. Series 7715 & 7718 (continued)

8mm Pitch Sprockets — For Belts 36mm Wide (continued)

Part No.	Product No.	No. of Grooves	Pitch Dia. (In.)	Wt. Ea. (Lbs.)	Material	Bore or Bushing	Bore Range (In.)
PB8MX-30S-36	7715-3030	30	3.008	3.75	DI	MPB	1/2 - 1 13/16
8MX-32S-36	7718-3032	32	3.208	2.00	DI	1210	1/2 - 1 1/4
PB8MX-32S-36	7715-3032	32	3.208	3.90	DI	MPB	1/2 - 2
8MX-33S-36	7718-3033	33	3.308	1.50	DI	1610	1/2 - 1 11/16
8MX-34S-36	7718-3034	34	3.409	2.80	DI	1610	1/2 - 1 11/16
PB8MX-34S-36	7715-3034	34	3.409	4.30	DI	MPB	1/2 - 2 1/8
8MX-35S-36	7718-3035	35	3.509	1.80	DI	1610	1/2 - 1 11/16
8MX-36S-36	7718-3036	36	3.609	2.70	DI	1610	1/2 - 1 11/16
PB8MX-36S-36	7715-3036	36	3.609	4.20	DI	MPB	1/2 - 2 5/16
8MX-37S-36	7718-3037	37	3.709	2.10	DI	1610	1/2 - 1 11/16
8MX-38S-36	7718-3038	38	3.810	2.90	DI	1610	1/2 - 1 11/16
PB8MX-38S-36	7715-3038	38	3.810	4.40	DI	MPB	1/2 - 2 7/16
8MX-39S-36	7718-3039	39	3.910	2.40	DI	1610	1/2 - 1 11/16
8MX-40S-36	7718-3040	40	4.010	3.10	DI	2012	1/2 - 2 1/8
8MX-41S-36	7718-3041	41	4.110	2.40	DI	2012	1/2 - 2 1/8
8MX-42S-36	7718-3042	42	4.211	3.30	DI	2012	1/2 - 2 1/8
8MX-45S-36	7718-3045	45	4.511	3.40	GI	2012	1/2 - 2 1/8
8MX-48S-36	7718-3048	48	4.812	5.10	GI	2012	1/2 - 2 1/8
8MX-50S-36	7718-3050	50	5.013	5.10	GI	2012	1/2 - 2 1/8
8MX-53S-36	7718-3053	53	5.314	6.00	GI	2012	1/2 - 2 1/8
8MX-56S-36	7718-3056	56	5.614	6.60	GI	2012	1/2 - 2 1/8
8MX-60S-36	7718-3060	60	6.015	8.00	GI	2517	1/2 - 2 11/16
8MX-63S-36	7718-3063	63	6.316	9.30	GI	2517	1/2 - 2 11/16
8MX-67S-36	7718-3067	67	6.717	10.00	GI	2517	1/2 - 2 11/16
8MX-71S-36	7718-3071	71	7.118	12.00	GI	2517	1/2 - 2 11/16
8MX-75S-36	7718-3075	75	7.519	13.30	GI	2517	1/2 - 2 11/16
8MX-80S-36	7718-3080	80	8.020	15.30	GI	3020	7/8 - 3 1/4
8MX-90S-36	7718-3090	90	9.023	20.90	GI	3020	7/8 - 3 1/4
8MX-112S-36	7718-3112	112	11.229	29.70	GI	3020	7/8 - 3 1/4
8MX-140S-36	7718-3140	140	14.036	39.30	GI	3020	7/8 - 3 1/4
8MX-180S-36	7718-3180	180	18.046	48.90	GI	3020	7/8 - 3 1/4
8MX-224S-36	7718-3224	224	22.457	92.20	GI	3525	1 3/16 - 3 15/16

SYNCHRONOUS METAL

8mm Pitch Sprockets — For Belts 62mm Wide

Part No.	Product No.	No. of Grooves	Pitch Dia. (In.)	Wt. Ea. (Lbs.)	Material	Bore or Bushing	Bore Range (In.)
PB8MX-22S-62	7715-6022	22	2.206	3.20	DI	MPB	1 - 1 3/16
PB8MX-25S-62	7715-6025	25	2.506	3.30	DI	MPB	1 - 1 1/2
PB8MX-28S-62	7715-6028	28	2.807	3.50	DI	MPB	1 - 1 3/4
PB8MX-30S-62	7715-6030	30	3.008	4.00	DI	MPB	1 - 1 13/16
PB8MX-32S-62	7715-6032	32	3.208	5.00	DI	MPB	1 - 2
8MX-34S-62	7718-6034	34	3.409	5.00	DI	1610	1/2 - 1 11/16
PB8MX-34S-62	7715-6034	34	3.409	5.70	DI	MPB	1 - 2 1/8
8MX-36S-62	7718-6036	36	3.609	5.30	DI	1610	1/2 - 1 11/16
PB8MX-36S-62	7715-6036	36	3.609	6.60	DI	MPB	1 - 2 5/16
8MX-38S-62	7718-6038	38	3.812	5.60	DI	1610	1/2 - 1 11/16
PB8MX-38S-62	7715-6038	38	3.812	7.40	DI	MPB	1 - 2 7/16
8MX-40S-62	7718-6040	40	4.010	5.90	DI	2012	1/2 - 2 1/8
PB8MX-40S-62	7715-6040	40	4.010	8.40	DI	MPB	1 - 2 9/16
8MX-42S-62	7718-6042	42	4.211	3.45	DI	2012	1/2 - 2 1/8
PB8MX-42S-62	7715-6042	42	4.211	9.60	DI	MPB	1 - 2 3/4
8MX-45S-62	7718-6045	45	4.511	6.50	DI	2012	1/2 - 2 1/8
PB8MX-45S-62	7715-6045	45	4.511	10.80	DI	MPB	1 - 2 3/4
8MX-48S-62	7718-6048	48	4.812	6.60	GI	2517	1/2 - 2 11/16
8MX-50S-62	7718-6050	50	5.013	6.70	GI	2517	1/2 - 2 11/16
8MX-53S-62	7718-6053	53	5.314	6.90	GI	2517	1/2 - 2 11/16
8MX-56S-62	7718-6056	56	5.614	7.20	GI	2517	1/2 - 2 11/16
8MX-60S-62	7718-6060	60	6.015	8.90	GI	3020	7/8 - 3 1/4
8MX-63S-62	7718-6063	63	6.316	10.30	GI	3020	7/8 - 3 1/4





Poly Chain® GT®2 Sprockets

Product No. Series 7715 & 7718 (continued)

8mm Pitch Sprockets — For Belts 62mm Wide (continued)

Part No.	Product No.	No. of Grooves	Pitch Dia. (In.)	Wt. Ea. (Lbs.)	Material	Bore or Bushing	Bore Range (In.)
8MX-67S-62	7718-6067	67	6.717	11.00	GI	3020	7/8 - 3 1/4
8MX-71S-62	7718-6071	71	7.118	13.50	GI	3020	7/8 - 3 1/4
8MX-75S-62	7718-6075	75	7.519	15.40	GI	3020	7/8 - 3 1/4
8MX-80S-62	7718-6080	80	8.020	23.00	GI	3020	7/8 - 3 1/4
8MX-90S-62	7718-6090	90	9.023	32.70	GI	3020	7/8 - 3 1/4
8MX-112S-62	7718-6112	112	11.229	38.90	GI	3020	7/8 - 3 1/4
8MX-140S-62	7718-6140	140	14.036	54.50	GI	3525	1 3/16 - 3 15/16
8MX-180S-62	7718-6180	180	18.046	89.95	GI	3525	1 3/16 - 3 15/16
8MX-224S-62	7718-6224	224	22.457	92.30	GI	3525	1 3/16 - 3 15/16

Product No. Series 7727

8mm Pitch Poly Chain® GT®2 - QD® Sprockets for ACHE Applications — For 21mm Poly Chain® GT®2 Belts

Part No.	Product No.	No. of Grooves	Pitch Dia. (In.)	Wt. Ea. (Lbs.)	Material	Bore or Bushing	Bore Range (In.)
F8M-36S-21	7727-9536	36	3.609	2.10	GI	SH	1/2 - 1 5/8
F8M-38S-21	7727-9538	38	3.810	2.10	GI	SH	1/2 - 1 5/8
F8M-40S-21	7727-9540	40	4.010	2.30	GI	SH	1/2 - 1 5/8
F8M-42S-21	7727-9542	42	4.211	2.50	GI	SH	1/2 - 1 5/8
F8M-140S-21	7727-9544	140	14.036	25.00	GI	SF	1/2 - 2 13/16
F8M-168S-21	7727-9568	168	16.843	33.80	GI	SF	1/2 - 2 13/16
F8M-180S-21	7727-9580	180	18.046	36.60	GI	SF	1/2 - 2 13/16
F8M-224S-21	7727-9524	224	22.457	50.10	GI	E	7/8 - 3 1/2

Product No. Series 7716 & 7719

14mm Pitch Sprockets — For Belts 20mm Wide

Part No.	Product No.	No. of Grooves	Pitch Dia. (In.)	Wt. Ea. (Lbs.)	Material	Bore or Bushing	Bore Range (In.)
14MX-28S-20	7719-2028	28	4.912	3.90	GI	2012	1/2 - 2 1/8
14MX-29S-20	7719-2029	29	5.088	4.50	GI	2012	1/2 - 2 1/8
14MX-30S-20	7719-2030	30	5.263	4.80	GI	2012	1/2 - 2 1/8
14MX-31S-20	7719-2031	31	5.439	5.50	GI	2012	1/2 - 2 1/8
14MX-32S-20	7719-2032	32	5.614	5.90	GI	2012	1/2 - 2 1/8
14MX-33S-20	7719-2033	33	5.790	6.30	GI	2012	1/2 - 2 1/8
14MX-34S-20	7719-2034	34	5.965	6.90	GI	2012	1/2 - 2 1/8
14MX-35S-20	7719-2035	35	6.141	7.30	GI	2012	1/2 - 2 1/8
14MX-36S-20	7719-2036	36	6.316	7.60	GI	2517	1/2 - 2 11/16
14MX-37S-20	7719-2037	37	6.492	8.20	GI	2517	1/2 - 2 11/16
14MX-38S-20	7719-2038	38	6.667	8.82	GI	2517	1/2 - 2 11/16
14MX-39S-20	7719-2039	39	6.842	9.80	GI	2517	1/2 - 2 11/16
14MX-40S-20	7719-2040	40	7.018	10.11	GI	2517	1/2 - 2 11/16
14MX-43S-20	7719-2043	43	7.544	11.67	GI	2517	1/2 - 2 11/16
14MX-45S-20	7719-2045	45	7.895	13.50	GI	3020	7/8 - 3 1/4
14MX-48S-20	7719-2048	48	8.421	16.44	GI	3020	7/8 - 3 1/4
14MX-50S-20	7719-2050	50	8.772	18.25	GI	3020	7/8 - 3 1/4
14MX-53S-20	7719-2053	53	9.299	20.50	GI	3020	7/8 - 3 1/4
14MX-56S-20	7719-2056	56	9.825	23.15	GI	3525	1 3/16 - 3 15/16
14MX-60S-20	7719-2060	60	10.527	27.45	GI	3525	1 3/16 - 3 15/16
14MX-63S-20	7719-2063	63	11.053	30.19	GI	3525	1 3/16 - 3 15/16
14MX-67S-20	7719-2067	67	11.755	31.25	GI	3525	1 3/16 - 3 15/16
14MX-71S-20	7719-2071	71	12.457	32.51	GI	3525	1 3/16 - 3 15/16
14MX-75S-20	7719-2075	75	13.158	36.15	GI	3525	1 3/16 - 3 15/16
14MX-80S-20	7719-2080	80	14.036	35.43	GI	3525	1 3/16 - 3 15/16
14MX-90S-20	7719-2090	90	15.790	41.29	GI	3525	1 3/16 - 3 15/16

SYNCHRONOUS METAL





Poly Chain® GT®2 Sprockets

Product No. Series 7716 & 7719 (continued)

14mm Pitch Sprockets — For Belts 20mm Wide (continued)

Part No.	Product No.	No. of Grooves	Pitch Dia. (In.)	Wt. Ea. (Lbs.)	Material	Bore or Bushing	Bore Range (In.)
14MX-112S-20	7719-2112	112	19.650	59.60	GI	3525	1 3/16 - 3 15/16
14MX-126S-20	7719-2126	126	22.106	58.20	GI	3525	1 3/16 - 3 15/16
14MX-140S-20	7719-2140	140	24.562	102.00	GI	3525	1 3/16 - 3 15/16
14MX-154S-20	7719-2154	154	27.019	73.50	GI	3525	1 3/16 - 3 15/16
14MX-168S-20	7719-2168	168	29.475	99.50	GI	3525	1 3/16 - 3 15/16
14MX-180S-20	7719-2180	180	31.580	135.00	GI	3525	1 3/16 - 3 15/16
14MX-200S-20	7719-2200	200	35.089	156.00	GI	3525	1 3/16 - 3 15/16
14MX-224S-20	7719-2224	224	39.300	150.20	GI	4030	1 7/16 - 4 7/16

14mm Pitch Sprockets — For Belts 37mm Wide

Part No.	Product No.	No. of Grooves	Pitch Dia. (In.)	Wt. Ea. (Lbs.)	Material	Bore or Bushing	Bore Range (In.)
14MX-28S-37	7719-3028	28	4.912	4.20	GI	2012	1/2 - 2 1/8
PB14MX-28S-37	7716-3028	28	4.912	4.50	DI	MPB	1 - 2 15/16
14MX-29S-37	7719-3029	29	5.088	4.70	GI	2517	1/2 - 2 11/16
14MX-30S-37	7719-3030	30	5.263	5.00	GI	2517	1/2 - 2 11/16
14MX-31S-37	7719-3031	31	5.439	6.00	GI	2517	1/2 - 2 11/16
14MX-32S-37	7719-3032	32	5.614	7.20	GI	2517	1/2 - 2 11/16
14MX-33S-37	7719-3033	33	5.790	7.50	GI	2517	1/2 - 2 11/16
14MX-34S-37	7719-3034	34	5.965	7.80	GI	2517	1/2 - 2 11/16
14MX-35S-37	7719-3035	35	6.141	8.30	GI	2517	1/2 - 2 11/16
14MX-36S-37	7719-3036	36	6.316	8.80	GI	2517	1/2 - 2 11/16
14MX-37S-37	7719-3037	37	6.492	9.30	GI	2517	1/2 - 2 11/16
14MX-38S-37	7719-3038	38	6.667	10.80	GI	3020	7/8 - 3 1/4
14MX-39S-37	7719-3039	39	6.842	11.90	GI	3020	7/8 - 3 1/4
14MX-40S-37	7719-3040	40	7.018	12.20	GI	3020	7/8 - 3 1/4
14MX-43S-37	7719-3043	43	7.544	12.50	GI	3020	7/8 - 3 1/4
14MX-45S-37	7719-3045	45	7.895	15.80	GI	3020	7/8 - 3 1/4
14MX-48S-37	7719-3048	48	8.421	18.70	GI	3020	7/8 - 3 1/4
14MX-50S-37	7719-3050	50	8.772	21.10	GI	3020	7/8 - 3 1/4
14MX-53S-37	7719-3053	53	9.299	24.70	GI	3020	7/8 - 3 1/4
14MX-56S-37	7719-3056	56	9.825	28.20	GI	3525	1 3/16 - 3 15/16
14MX-60S-37	7719-3060	60	10.527	32.20	GI	3525	1 3/16 - 3 15/16
14MX-63S-37	7719-3063	63	11.053	42.80	GI	3525	1 3/16 - 3 15/16
14MX-67S-37	7719-3067	67	11.755	43.50	GI	3525	1 3/16 - 3 15/16
14MX-71S-37	7719-3071	71	12.457	44.10	GI	3525	1 3/16 - 3 15/16
14MX-75S-37	7719-3075	75	13.158	45.50	GI	3525	1 3/16 - 3 15/16
14MX-80S-37	7719-3080	80	14.036	48.70	GI	3525	1 3/16 - 3 15/16
14MX-90S-37	7719-3090	90	15.790	53.30	GI	3525	1 3/16 - 3 15/16
14MX-112S-37	7719-3112	112	19.650	87.00	GI	3525	1 3/16 - 3 15/16
14MX-126S-37	7719-3126	126	22.106	76.30	GI	3525	1 3/16 - 3 15/16
14MX-140S-37	7719-3140	140	24.562	100.90	GI	3525	1 3/16 - 3 15/16
14MX-154S-37	7719-3154	154	27.019	100.20	GI	3525	1 3/16 - 3 15/16
14MX-168S-37	7719-3168	168	29.475	179.00	GI	4030	1 7/16 - 4 7/16
14MX-180S-37	7719-3180	180	31.580	172.30	GI	4030	1 7/16 - 4 7/16
14MX-200S-37	7719-3200	200	35.089	185.40	GI	4030	1 7/16 - 4 7/16
14MX-224S-37	7719-3224	224	39.300	229.10	GI	4030	1 7/16 - 4 7/16

14mm Pitch Sprockets — For Belts 68mm Wide

Part No.	Product No.	No. of Grooves	Pitch Dia. (In.)	Wt. Ea. (Lbs.)	Material	Bore or Bushing	Bore Range (In.)
PB14MX-28S-68	7716-6028	28	4.912	13.40	DI	MPB	1 - 2 15/16
14MX-29S-68	7719-6029	29	5.088	14.70	GI	2517	1/2 - 2 11/16
PB14MX-29S-68	7716-6029	29	5.088	14.50	DI	MPB	1 - 3 3/16
14MX-30S-68	7719-6030	30	5.263	14.00	GI	2517	1/2 - 2 11/16
PB14MX-30S-68	7716-6030	30	5.263	15.70	DI	MPB	1 - 3 3/16

SYNCHRONOUS METAL





Poly Chain® GT®2 Sprockets

Product No. Series 7716 & 7719 (continued)

14mm Pitch Sprockets — For Belts 68mm Wide (continued)

Part No.	Product No.	No. of Grooves	Pitch Dia. (In.)	Wt. Ea. (Lbs.)	Material	Bore or Bushing	Bore Range (In.)
14MX-31S-68	7719-6031	31	5.439	14.30	GI	2517	1/2 - 2 11/16
PB14MX-31S-68	7716-6031	31	5.439	16.80	DI	MPB	1 - 3 7/16
14MX-32S-68	7719-6032	32	5.614	14.60	GI	2517	1/2 - 2 11/16
PB14MX-32S-68	7716-6032	32	5.614	18.00	DI	MPB	1 - 3 7/16
14MX-33S-68	7719-6033	33	5.790	14.90	GI	2517	1/2 - 2 11/16
PB14MX-33S-68	7716-6033	33	5.790	19.50	DI	MPB	1 - 3 1/2
14MX-34S-68	7719-6034	34	5.965	15.20	GI	2517	1/2 - 2 11/16
PB14MX-34S-68	7716-6034	34	5.965	21.10	DI	MPB	1 - 3 1/2
14MX-35S-68	7719-6035	35	6.141	15.50	DI	3020	7/8 - 3 1/4
14MX-36S-68	7719-6036	36	6.316	15.80	DI	3020	7/8 - 3 1/4
14MX-37S-68	7719-6037	37	6.492	16.10	GI	3020	7/8 - 3 1/4
14MX-38S-68	7719-6038	38	6.667	16.40	GI	3020	7/8 - 3 1/4
14MX-39S-68	7719-6039	39	6.842	16.70	GI	3020	7/8 - 3 1/4
14MX-40S-68	7719-6040	40	7.018	17.00	GI	3020	7/8 - 3 1/4
14MX-43S-68	7719-6043	43	7.544	17.20	GI	3020	7/8 - 3 1/4
14MX-45S-68	7719-6045	45	7.895	20.40	GI	3020	7/8 - 3 1/4
14MX-48S-68	7719-6048	48	8.421	24.60	DI	3525	1 3/16 - 3 15/16
14MX-50S-68	7719-6050	50	8.772	29.40	DI	3525	1 3/16 - 3 15/16
14MX-53S-68	7719-6053	53	9.299	35.70	GI	3525	1 3/16 - 3 15/16
14MX-56S-68	7719-6056	56	9.825	39.90	GI	3525	1 3/16 - 3 15/16
14MX-60S-68	7719-6060	60	10.527	50.60	GI	3525	1 3/16 - 3 15/16
14MX-63S-68	7719-6063	63	11.053	58.00	GI	3525	1 3/16 - 3 15/16
14MX-67S-68	7719-6067	67	11.755	60.00	GI	3525	1 3/16 - 3 15/16
14MX-71S-68	7719-6071	71	12.457	63.30	GI	3525	1 3/16 - 3 15/16
14MX-75S-68	7719-6075	75	13.158	68.60	GI	3525	1 3/16 - 3 15/16
14MX-80S-68	7719-6080	80	14.036	76.30	GI	3525	1 3/16 - 3 15/16
14MX-90S-68	7719-6090	90	15.790	82.60	GI	4030	1 7/16 - 4 7/16
14MX-112S-68	7719-6112	112	19.650	100.37	GI	4030	1 7/16 - 4 7/16
14MX-140S-68	7719-6140	140	24.562	190.00	GI	4030	1 7/16 - 4 7/16
14MX-168S-68	7719-6168	168	29.475	239.10	GI	4535	1 15/16 - 4 15/16
14MX-180S-68	7719-6180	180	31.580	250.60	GI	4535	1 15/16 - 4 15/16
14MX-200S-68	7719-6200	200	35.089	262.50	GI	4535	1 15/16 - 4 15/16
14MX-224S-68	7719-6224	224	39.300	350.00	GI	5040	2 7/16 - 5

SYNCHRONOUS METAL

14mm Pitch Sprockets — For Belts 90mm Wide

Part No.	Product No.	No. of Grooves	Pitch Dia. (In.)	Wt. Ea. (Lbs.)	Material	Bore or Bushing	Bore Range (In.)
PB14MX-28S-90	7716-9028	28	4.912	17.40	DI	MPB	1 1/2 - 2 15/16
PB14MX-29S-90	7716-9029	29	5.088	18.90	DI	MPB	1 1/2 - 3 3/16
PB14MX-30S-90	7716-9030	30	5.263	20.30	DI	MPB	1 1/2 - 3 3/16
PB14MX-31S-90	7716-9031	31	5.439	21.80	DI	MPB	1 1/2 - 3 7/16
PB14MX-32S-90	7716-9032	32	5.614	23.20	DI	MPB	1 1/2 - 3 7/16
PB14MX-33S-90	7716-9033	33	5.790	25.20	DI	MPB	1 1/2 - 3 1/2
PB14MX-34S-90	7716-9034	34	5.965	27.20	DI	MPB	1 1/2 - 3 1/2
14MX-35S-90	7719-9035	35	6.141	22.90	DI	3020	7/8 - 3 1/4
PB14MX-35S-90	7716-9035	35	6.141	28.70	DI	MPB	1 1/2 - 3 13/16
14MX-36S-90	7719-9036	36	6.316	23.10	DI	3020	7/8 - 3 1/4
PB14MX-36S-90	7716-9036	36	6.316	30.30	DI	MPB	1 1/2 - 3 13/16
14MX-37S-90	7719-9037	37	6.492	23.40	GI	3020	7/8 - 3 1/4
PB14MX-37S-90	7716-9037	37	6.492	32.10	DI	MPB	1 1/2 - 4 1/8
14MX-38S-90	7719-9038	38	6.667	23.70	GI	3020	7/8 - 3 1/4
PB14MX-38S-90	7716-9038	38	6.667	33.90	DI	MPB	1 1/2 - 4 1/8
14MX-39S-90	7719-9039	39	6.842	24.00	GI	3020	7/8 - 3 1/4
PB14MX-39S-90	7716-9039	39	6.842	35.80	DI	MPB	1 1/2 - 4 3/8
14MX-40S-90	7719-9040	40	7.018	24.30	GI	3020	7/8 - 3 1/4
PB14MX-40S-90	7716-9040	40	7.018	37.70	DI	MPB	1 1/2 - 4 3/8
14MX-43S-90	7719-9043	43	7.544	24.70	DI	3525	1 3/16 - 3 15/16
14MX-45S-90	7719-9045	45	7.895	27.30	DI	3525	1 3/16 - 3 15/16
14MX-48S-90	7719-9048	48	8.421	33.40	DI	3525	1 3/16 - 3 15/16





Poly Chain® GT®2 Sprockets

Product No. Series 7716 & 7719 (continued)

14mm Pitch Sprockets — For Belts 90mm Wide (continued)

Part No.	Product No.	No. of Grooves	Pitch Dia. (In.)	Wt. Ea. (Lbs.)	Material	Bore or Bushing	Bore Range (In.)
14MX-50S-90	7719-9050	50	8.772	29.30	DI	3525	1 3/16 - 3 15/16
14MX-53S-90	7719-9053	53	9.299	46.80	GI	3525	1 3/16 - 3 15/16
14MX-56S-90	7719-9056	56	9.825	42.10	GI	4030	1 7/16 - 4 7/16
14MX-60S-90	7719-9060	60	10.527	50.45	GI	4030	1 7/16 - 4 7/16
14MX-63S-90	7719-9063	63	11.053	64.60	GI	4030	1 7/16 - 4 7/16
14MX-67S-90	7719-9067	67	11.755	70.00	GI	4030	1 7/16 - 4 7/16
14MX-71S-90	7719-9071	71	12.457	86.70	GI	4030	1 7/16 - 4 7/16
14MX-75S-90	7719-9075	75	13.158	85.00	GI	4030	1 7/16 - 4 7/16
14MX-80S-90	7719-9080	80	14.036	88.00	GI	4030	1 7/16 - 4 7/16
14MX-90S-90	7719-9090	90	15.790	89.05	GI	4030	1 7/16 - 4 7/16
14MX-112S-90	7719-9112	112	19.650	197.90	GI	4535	1 15/16 - 4 15/16
14MX-140S-90	7719-9140	140	24.562	240.00	GI	5040	2 7/16 - 5
14MX-168S-90	7719-9168	168	29.475	327.30	GI	6050	4 7/16 - 6
14MX-180S-90	7719-9180	180	31.580	335.90	GI	6050	4 7/16 - 6
14MX-200S-90	7719-9200	200	35.089	344.50	GI	6050	4 7/16 - 6
14MX-224S-90	7719-9224	224	39.300	589.00	GI	6050	4 7/16 - 6

14mm Pitch Sprockets — For Belts 125mm Wide

Part No.	Product No.	No. of Grooves	Pitch Dia. (In.)	Wt. Ea. (Lbs.)	Material	Bore or Bushing	Bore Range (In.)
PB14MX-28S-125	7716-8028	28	4.912	22.00	DI	MPB	1 1/2 - 2 15/16
PB14MX-29S-125	7716-8029	29	5.087	23.70	DI	MPB	1 1/2 - 3 3/16
PB14MX-30S-125	7716-8030	30	5.263	25.40	DI	MPB	1 1/2 - 3 3/16
PB14MX-31S-125	7716-8031	31	5.438	27.30	DI	MPB	1 1/2 - 3 7/16
PB14MX-32S-125	7716-8032	32	5.614	29.20	DI	MPB	1 1/2 - 3 7/16
PB14MX-33S-125	7716-8033	33	5.790	31.80	DI	MPB	1 1/2 - 3 1/2
PB14MX-34S-125	7716-8034	34	5.965	34.30	DI	MPB	1 1/2 - 3 1/2
PB14MX-35S-125	7716-8035	35	6.140	36.20	DI	MPB	1 1/2 - 3 13/16
PB14MX-36S-125	7716-8036	36	6.315	38.00	DI	MPB	1 1/2 - 3 13/16
PB14MX-37S-125	7716-8037	37	6.491	40.30	DI	MPB	1 1/2 - 4 1/8
PB14MX-38S-125	7716-8038	38	6.666	42.50	DI	MPB	1 1/2 - 4 1/8
PB14MX-39S-125	7716-8039	39	6.842	44.90	DI	MPB	1 1/2 - 4 3/8
PB14MX-40S-125	7716-8040	40	7.017	47.20	DI	MPB	1 1/2 - 4 3/8
PB14MX-43S-125	7716-8043	43	7.543	55.50	DI	MPB	1 1/2 - 4 13/16
PB14MX-45S-125	7716-8045	45	7.894	61.30	DI	MPB	1 1/2 - 5
PB14MX-48S-125	7716-8048	48	8.421	68.70	DI	MPB	1 1/2 - 5 5/8
14MX-50S-125	7719-8050	50	8.771	39.40	GI	4535	1 15/16 - 4 15/16
14MX-53S-125	7719-8053	53	9.290	50.10	GI	4535	1 15/16 - 4 15/16
14MX-56S-125	7719-8056	56	9.824	52.60	GI	4535	1 15/16 - 4 15/16
14MX-60S-125	7719-8060	60	10.526	63.30	GI	4535	1 15/16 - 4 15/16
14MX-63S-125	7719-8063	63	11.052	77.20	GI	4535	1 15/16 - 4 15/16
14MX-67S-125	7719-8067	67	11.754	93.80	GI	4535	1 15/16 - 4 15/16
14MX-71S-125	7719-8071	71	12.455	93.00	GI	5040	2 7/16 - 5
14MX-75S-125	7719-8075	75	13.157	132.80	GI	5040	2 7/16 - 5
14MX-80S-125	7719-8080	80	14.034	137.00	GI	5040	2 7/16 - 5
14MX-90S-125	7719-8090	90	15.790	121.00	GI	5040	2 7/16 - 5
14MX-112S-125	7719-8112	112	19.650	210.60	GI	6050	4 7/16 - 6
14MX-140S-125	7719-8140	140	24.560	270.30	GI	6050	4 7/16 - 6
14MX-168S-125	7719-8168	168	29.472	345.20	GI	7060	4 15/16 - 7
14MX-180S-125	7719-8180	180	31.580	365.20	GI	7060	4 15/16 - 7
14MX-200S-125	7719-8200	200	35.086	373.50	GI	7060	4 15/16 - 7
14MX-224S-125	7719-8224	224	39.300	482.30	GI	7060	4 15/16 - 7

SYNCHRONOUS METAL





Poly Chain® GT®2 Sprockets

Product No. Series 7719 (continued)

14mm Pitch Poly Chain® GT®2-Taper-Lock® Sprockets for ACHE Applications — For Belts 37mm Wide

Part No.	Product No.	No. of Grooves	Pitch Dia. (In.)	Wt. Ea. (Lbs.)	Material	Bore or Bushing	Bore Range (In.)
F14MX-180S-37	7719-9702	180	31.580	120.00	GI	3020	7/8 - 3 1/4
F14MX-200S-37	7719-9700	200	35.086	130.00	GI	3020	7/8 - 3 1/4
F14MX-224S-37	7719-9704	224	39.296	177.00	GI	3020	7/8 - 3 1/4

Product No. Series 7727

14mm Pitch Poly Chain® GT®2 - QD® Sprockets for ACHE Applications — For Belts 20mm Wide

Part No.	Product No.	No. of Grooves	Pitch Dia. (In.)	Wt. Ea. (Lbs.)	Material	Bore or Bushing	Bore Range (In.)
F14M-28S-20	7727-9628	28	4.912	3.90	GI	SK	1/2 - 2 1/2
F14M-29S-20	7727-9629	29	5.088	4.50	GI	SK	1/2 - 2 1/2
F14M-30S-20	7727-9630	30	5.263	4.80	GI	SK	1/2 - 2 1/2
F14M-31S-20	7727-9631	31	5.439	5.50	GI	SK	1/2 - 2 1/2
F14M-32S-20	7727-9632	32	5.614	5.90	GI	SK	1/2 - 2 1/2
F14M-33S-20	7727-9633	33	5.790	6.30	GI	SK	1/2 - 2 1/2
F14M-34S-20	7727-9634	34	5.965	6.90	GI	SK	1/2 - 2 1/2
F14M-35S-20	7727-9635	35	6.141	7.30	GI	SK	1/2 - 2 1/2
F14M-36S-20	7727-9720	36	6.315	7.90	GI	SF	1 - 2 1/2
F14M-140S-20	7727-9644	140	24.560	66.10	GI	E	7/8 - 3 1/2
F14M-168S-20	7727-9668	168	29.472	90.00	GI	F	1 - 4
F14M-180S-20	7727-9680	180	31.580	107.30	GI	F	1 - 4
F14M-200S-20	7727-9600	200	35.086	119.00	GI	F	1 - 4
F14M-224S-20	7727-9624	224	39.300	125.00	GI	F	1 - 4

14mm Pitch Poly Chain® GT®2 - QD® Sprockets for ACHE Applications — For Belts 37mm Wide

Part No.	Product No.	No. of Grooves	Pitch Dia. (In.)	Wt. Ea. (Lbs.)	Material	Bore or Bushing	Bore Range (In.)
F14M-28S-37	7727-9728	28	4.912	4.20	GI	SK	1/2 - 2 1/2
F14M-29S-37	7727-9729	29	5.088	4.70	GI	SK	1/2 - 2 1/2
F14M-30S-37	7727-9730	30	5.263	5.00	GI	SK	1/2 - 2 1/2
F14M-31S-37	7727-9731	31	5.439	6.00	GI	SK	1/2 - 2 1/2
F14M-32S-37	7727-9732	32	5.614	7.10	GI	SK	1/2 - 2 1/2
F14M-33S-37	7727-9733	33	5.790	7.50	GI	SK	1/2 - 2 1/2
F14M-34S-37	7727-9734	34	5.965	7.80	GI	SK	1/2 - 2 1/2
F14M-35S-37	7727-9735	35	6.141	8.30	GI	SK	1/2 - 2 1/2
F14M-36S-37	7727-9737	36	6.315	8.80	GI	SF	1/2 - 2 1/2
F14M-180S-37	7727-9702	180	31.580	120.00	GI	E	7/8 - 3 1/2
F14M-200S-37	7727-9700	200	35.089	130.00	GI	E	7/8 - 3 1/2
F14M-224S-37	7727-9704	224	39.300	177.00	GI	E	7/8 - 3 1/2

SYNCHRONOUS METAL

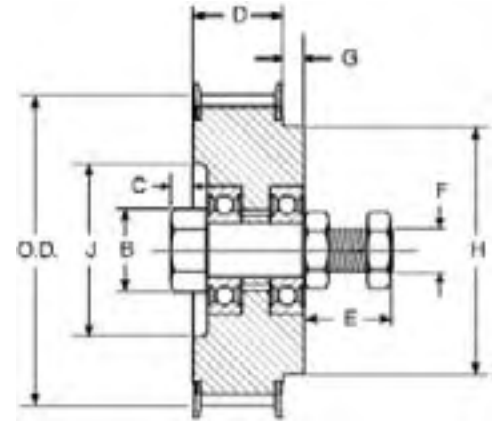


Poly Chain® GT®2 Idler Hardware

Product No. Series 7720

Idler Sprockets (Integral Shaft Included)

Part No.	Product No.	Size	Wt. Ea. (Lbs.)
12-IDL-SPRK	7720-1500	IDLR 8M-32S-12	3.80
21-IDL-SPRK	7720-1510	IDLR 8M-32S-21	3.88
36-IDL-SPRK	7720-1520	IDLR 8M-36S-36	5.14
62-IDL-SPRK	7720-1530	IDLR 8M-36S-62	9.69
20-IDL-SPRK	7720-1600	IDLR 14M-30S-20	12.55
37-IDL-SPRK	7720-1610	IDLR 14M-30S-37	13.46
68-IDL-SPRK	7720-1620	IDLR 14M-34S-68	26.03
90-IDL-SPRK	7720-1640	IDLR 14M-34S-90	32.18
125-IDL-SPRK	7720-1630	IDLR14M-34S-125	36.45

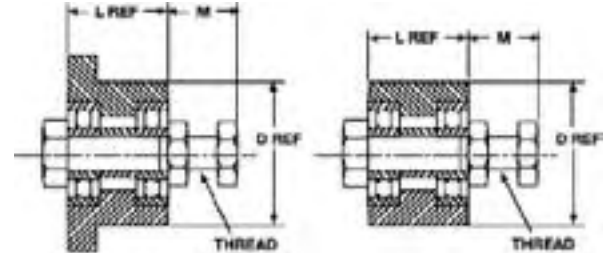


SYNCHRONOUS METAL

Idler Bushings (Integral Shaft Included)

Part No.	Product No.	Wt. Ea. (Lbs.)
20-IDLR-BUSH(SK)	7720-1120	11.00
30-IDLR-BUSH(SF)	7720-1130	8.60
40-IDLR-BUSH(E)	7720-1140	8.62
1610-IDLR-BUSH	7720-2610	1.30
2012-IDLR-BUSH	7720-2012	2.30
2517-IDLR-BUSH	7720-2517	3.90

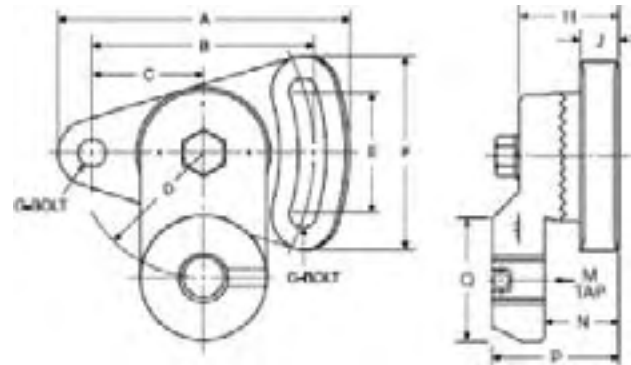
14mm Idler Sprockets: Use 20-IDL-BRAK with 30-IDL-BUSH and 40-IDL-BUSH. 8mm Idler Sprockets: Use 05-IDL-BRAK with 1610-IDL-Bush; Use 10-IDL-BRAK with 2012-IDL-BUSH, 2517-IDL-BUSH and 2012-IDL-BUSH.



Idler Brackets

Part No.	Product No.	Wt. Ea. (Lbs.)
5-IDL-BRAK	7720-1005	2.80
10-IDL-BRAK	7720-1010	3.40
20-IDL-BRAK	7720-1020	11.20

14mm Idler Sprockets: Use 20-IDL-BRAK with 30-IDL-BUSH and 40-IDL-BUSH. 8mm Idler Sprockets: Use 05-IDL-BRAK with 1610-IDL-Bush; Use 10-IDL-BRAK with 2012-IDL-BUSH, 2517-IDL-BUSH and 2012-IDL-BUSH.





Draftguard® Anti-Rotation Device

Draftguard® Anti-Rotation Device Fan drives can rotate backwards when they are turned off, generally by reason of air movement across the fan blades. Draftguard® anti-rotation device secures the drive from spinning backwards during maintenance operations as well as protects the entire system from extreme shock loads during start-up, causing unnecessary wear of the motor components and potential belt breakage.



Markets/Applications

Ideal for any V-belt or synchronous belt drive system where back-drafting or wind-milling is an issue or safety concern.

Features/Advantages

- Designed with mounting holes for bushings including QD® (E, F and J) and Taper-Lock® (3020, 3525, 3535, 4030) commonly found on ACHE belt drive systems.
- Maintenance-free bearings greased-for-life assembly.
- Small investment to mitigate risk to employees and equipment.

Product No. Series 7814

Part No.	Product No.	Wt. Ea. (Lbs.)
Draftguard 3020 Spacer	7814-0001	.90
DRAFTGUARD SPACER 3525/4030	7814-0002	1.50
DRAFTGUARD CLUTCH	7814-0006	8.10
DRAFTGUARD FLANGE ASSEMBLY	7814-0003	2.00
DRAFTGUARD KIT	7814-0004	20.00
DRAFTGUARD LOCKING RING	7814-0007	1.70
DRAFTGUARD TORQUE ARM	7814-0005	2.00

SYNCHRONOUS METAL





Poly Chain® GT®2 Sprockets - Stainless Steel

Markets/Applications

Use with Poly Chain GT2 belts. Stainless steel Poly Chain GT2 sprockets are ideal for the food and beverage market or where non-corrosive sprockets are needed to prevent rust.

Features/Advantages

- Cost effective alternative to stainless roller chain drives.
- Taper-Lock® bushings save shaft space allowing load to be closer to bearing.
- Can be used with rim speeds of 8,000 fpm.



Notes

Sprocket part numbers are comprised of pitch, number of grooves and width. For example; part number SS8MX-28S-12 denotes "SS" for stainless steel, 8mm pitch, 28 grooves, "S" for sprocket and 12mm width.

On a sprocket, pitch is the distance between groove centers and is measured on the pitch circle of the sprocket. The pitch circle of the sprocket coincides with the pitch line of the belt mating with it. The pitch diameter of the sprocket is always greater than its outside diameter.

Product No. Series 7769

8mm Pitch Sprockets — For Belts 12mm Wide

Part No.	Product No.	No. of Grooves	Pitch Dia. (In.)	Wt. Ea. (Lbs.)	Material	Bore or Bushing	Bore Range (In.)
SS 8MX-28S-12 1108	7769-1228	28	2.807	.90	SS	1108	1/2 - 1 1/8
SS 8MX-28S-12 MPB	7769-9128	28	2.807	1.40	SS	MPB	1/2 - 1 3/4
SS 8MX-29S-12 1108	7769-1229	29	2.907	.90	SS	1108	1/2 - 1 1/8
SS 8MX-29S-12 MPB	7769-9129	29	2.907	1.50	SS	MPB	1/2 - 1 3/4
SS 8MX-30S-12 1108	7769-1230	30	3.008	1.00	SS	1108	1/2 - 1 1/8
SS 8MX-30S-12 MPB	7769-9130	30	3.008	1.60	SS	MPB	1/2 - 1 13/16
SS 8MX-32S-12 1210	7769-1232	32	3.208	1.20	SS	1210	1/2 - 1 1/4
SS 8MX-32S-12 MPB	7769-9132	32	3.208	1.70	SS	MPB	1/2 - 2
SS 8MX-34S-12 1610	7769-1234	34	3.409	1.30	SS	1610	1/2 - 1 11/16
SS 8MX-34S-12 MPB	7769-9134	34	3.409	1.80	SS	MPB	1/2 - 2 1/8
SS 8MX-36S-12 1610	7769-1236	36	3.609	1.40	SS	1610	1/2 - 1 11/16
SS 8MX-38S-12 1610	7769-1238	38	3.810	1.60	SS	1610	1/2 - 1 11/16
SS 8MX-40S-12 2012	7769-1240	40	4.010	1.90	SS	2012	1/2 - 2 1/8
SS 8MX-42S-12 2012	7769-1242	42	4.211	2.30	SS	2012	1/2 - 2 1/8
SS 8MX-45S-12 2012	7769-1245	45	4.511	2.50	SS	2012	1/2 - 2 1/8
SS 8MX-48S-12 2012	7769-1248	48	4.812	2.70	SS	2012	1/2 - 2 1/8
SS 8MX-50S-12 2012	7769-1250	50	5.013	3.90	SS	2012	1/2 - 2 1/8
SS 8MX-53S-12 2012	7769-1253	53	5.314	3.70	SS	2012	1/2 - 2 1/8
SS 8MX-56S-12 2012	7769-1256	56	5.514	4.20	SS	2012	1/2 - 2 1/8
SS 8MX-60S-12 2012	7769-1260	60	6.015	4.90	SS	2012	1/2 - 2 1/8

8mm Pitch Sprockets — For Belts 21mm Wide

Part No.	Product No.	No. of Grooves	Pitch Dia. (In.)	Wt. Ea. (Lbs.)	Material	Bore or Bushing	Bore Range (In.)
SS 8MX-28S-21 1108	7769-2128	28	2.807	2.10	SS	1108	1/2 - 1 1/8
SS 8MX-28S-21 MPB	7769-9228	28	2.807	1.80	SS	MPB	1/2 - 1 3/4
SS 8MX-29S-21 1108	7769-2129	29	2.907	2.30	SS	1108	1/2 - 1 1/8
SS 8MX-29S-21 MPB	7769-9229	29	2.907	2.00	SS	MPB	1/2 - 1 3/4
SS 8MX-30S-21 1108	7769-2130	30	3.008	2.50	SS	1108	1/2 - 1 1/8
SS 8MX-30S-21 MPB	7769-9230	30	3.008	2.20	SS	MPB	1/2 - 1 13/16
SS 8MX-32S-21 1210	7769-2132	32	3.208	3.00	SS	1210	1/2 - 1 1/4
SS 8MX-32S-21 MPB	7769-9232	32	3.208	2.50	SS	MPB	1/2 - 2
SS 8MX-34S-21 1610	7769-2134	34	3.409	1.90	SS	1610	1/2 - 1 11/16
SS 8MX-34S-21 MPB	7769-9234	34	3.409	2.70	SS	MPB	1/2 - 2
SS 8MX-36S-21 1610	7769-2136	36	3.609	2.10	SS	1610	1/2 - 1 11/16
SS 8MX-38S-21 1610	7769-2138	38	3.810	2.30	SS	1610	1/2 - 1 11/16
SS 8MX-40S-21 2012	7769-2140	40	4.010	2.30	SS	2012	1/2 - 2 1/8
SS 8MX-42S-21 2012	7769-2142	42	4.211	2.50	SS	2012	1/2 - 2 1/8
SS 8MX-45S-21 2012	7769-2145	45	4.511	3.00	SS	2012	1/2 - 2 1/8
SS 8MX-48S-21 2012	7769-2148	48	4.812	3.40	SS	2012	1/2 - 2 1/8

SYNCHRONOUS METAL





Poly Chain® GT®2 Sprockets - Stainless Steel

Product No. Series 7769 (continued)

8mm Pitch Sprockets — For Belts 21mm Wide (continued)

Part No.	Product No.	No. of Grooves	Pitch Dia. (In.)	Wt. Ea. (Lbs.)	Material	Bore or Bushing	Bore Range (In.)
SS 8MX-50S-21 2012	7769-2150	50	5.013	3.90	SS	2012	1/2 - 2 1/8
SS 8MX-53S-21 2012	7769-2153	53	5.314	4.40	SS	2012	1/2 - 2 1/8
SS 8MX-56S-21 2012	7769-2156	56	5.614	4.80	SS	2012	1/2 - 2 1/8
SS 8MX-60S-21 2012	7769-2160	60	6.015	7.70	SS	2012	1/2 - 2 1/8

SYNCHRONOUS METAL





Poly Chain® GT®2 Sprockets - Re-Work Charge

Markets/Applications

Use with Poly Chain GT2, Poly Chain GT or Poly Chain GT Carbon™ belts.

Features/Advantages

- Re-work services have turn around time.
- Precise sprocket design produces positive press firm to shaft.
- Precision manufactured and static balanced.



Notes

To order, contact the Made-to-Order Metals Team 800-709-6001 (phone), 303-744-4080 (fax) or at www.gates.com/mtometals.

Rework applies only to plain bore sprockets. When ordering specify the part number and rework needed. Rework options are as follows:

BTS = Bored to Size and includes Standard Keyway and set screws

PB = Plain Bore. No Keyway. No Set Screws.

KWY = Keyway only

SS = Set Screw only.

Orders must be placed through the Made-to-Order Metals team and should not be placed on PowerPro®.

Product No. Series 7896

Part No.	Product No.	Bore Range (In.)		Pitch Dia. (In.)
		Min.	Max.	
8MX-22S-12 REBORE	7896-3282	1/2	1 3/16	2.206
8MX-25S-12 REBORE	7896-3307	1/2	1 1/2	2.506
8MX-28S-12 REBORE	7896-3335	1/2	1 3/4	2.807
8MX-30S-12 REBORE	7896-3480	1/2	1 13/16	3.008
8MX-32S-12 REBORE	7896-3481	1/2	2	3.206
8MX-22S-21 REBORE	7896-3482	1/2	1 3/16	2.206
8MX-25S-21 REBORE	7896-3488	1/2	1 1/2	2.506
8MX-28S-21 REBORE	7896-3489	1/2	1 3/4	2.807
8MX-30S-21 REBORE	7896-3507	1/2	1 13/16	3.008
8MX-32S-21 REBORE	7896-3522	1/2	2	3.208
8MX-22S-36 REBORE	7896-3527	1/2	1 3/16	2.206
8MX-25S-36 REBORE	7896-3528	1/2	1 1/2	2.506
8MX-28S-36 REBORE	7896-3529	1/2	1 3/4	2.807
8MX-30S-36 REBORE	7896-3600	1/2	1 13/16	3.008
8MX-32S-36 REBORE	7896-3659	1/2	2	3.208
8MX-34S-36 REBORE	7896-3661	1/2	2 1/8	3.409
8MX-36S-36 REBORE	7896-3666	1/2	2 5/16	3.609
8MX-38S-36 REBORE	7896-3672	1/2	2 7/16	3.81
8MX-22S-62 REBORE	7896-3708	1	1 3/16	2.206
8MX-25S-62 REBORE	7896-3801	1	1 1/2	2.506
8MX-28S-62 REBORE	7896-3802	1	1 3/4	2.807
8MX-30S-62 REBORE	7896-3838	1	1 13/16	3.008
8MX-32S-62 REBORE	7896-3842	1	2	3.208
8MX-34S-62 REBORE	7896-3896	1	2 1/8	3.409
8MX-36S-62 REBORE	7896-3902	1	2 5/16	3.609
8MX-38S-62 REBORE	7896-3903	1	2 7/16	3.812
8MX-40S-62 REBORE	7896-3920	1	2 9/16	4.010
8MX-42S-62 REBORE	7896-3965	1	2 3/4	4.211
8MX-45S-62 REBORE	7896-4034	1	2 3/4	4.511
14MX-28S-37 REBORE	7896-4326	1/2	2 15/16	4.912
14MX-28S-68 REBORE	7896-4327	1	2 15/16	4.912
14MX-29S-68 REBORE	7896-4328	1	3 3/16	5.088
14MX-30S-68 REBORE	7896-4329	1	3 3/16	5.263
14MX-31S-68 REBORE	7896-4352	1	3 7/16	5.439
14MX-32S-68 REBORE	7896-4483	1	3 7/16	5.614
14MX-33S-68 REBORE	7896-4500	1	3 1/2	5.790
14MX-34S-68 REBORE	7896-4504	1	3 1/2	5.965
14MX-28S-90 REBORE	7896-4505	1 1/2	2 15/16	4.912
14MX-29S-90 REBORE	7896-4540	1 1/2	3 3/16	5.088
14MX-30S-90 REBORE	7896-4541	1 1/2	3 3/16	5.263
14MX-31S-90 REBORE	7896-4543	1 1/2	3 7/16	5.439
14MX-32S-90 REBORE	7896-4552	1 1/2	3 7/16	5.614
14MX-33S-90 REBORE	7896-4560	1 1/2	3 1/2	5.790

SYNCHRONOUS METAL





Poly Chain® GT®2 Sprockets - Re-Work Charge

Product No. Series 7896 (continued)

Part No.	Product No.	Bore Range (In.)		Pitch Dia. (In.)
		Min.	Max.	
14MX-34S-90 REBORE	7896-4626	1 1/2	3 1/2	5.965
14MX-35S-90 REBORE	7896-4627	1 1/2	3 1/3	6.141
14MX-36S-90 REBORE	7896-4665	1 1/2	3 13/16	6.316
14MX-37S-90 REBORE	7896-4630	1 1/2	4 1/8	6.492
14MX-38S-90 REBORE	7896-4704	1 1/2	4 1/8	6.667
14MX-39S-90 REBORE	7896-4753	1 1/2	4 3/8	6.842
14MX-40S-90 REBORE	7896-4754	1 1/2	4 3/8	7.018
14MX-28S-125 REBORE	7896-4755	1 1/2	2 15/16	4.912
14MX-29S-125 REBORE	7896-4890	1 1/2	3 3/16	5.087
14MX-30S-125 REBORE	7896-4897	1 1/2	3 3/16	5.236
14MX-31S-125 REBORE	7896-4968	1 1/2	3 7/16	5.438
14MX-32S-125 REBORE	7896-5045	1 1/2	3 7/16	5.614
14MX-33S-125 REBORE	7896-5055	1 1/2	3 1/2	5.790
14MX-34S-125 REBORE	7896-5082	1 1/2	3 1/2	5.965
14MX-35S-125 REBORE	7896-5161	1 1/2	3 13/16	6.140
14MX-36S-125 REBORE	7896-5171	1 1/2	3 13/16	6.315
14MX-37S-125 REBORE	7896-5251	1 1/2	4 1/8	6.491
14MX-38S-125 REBORE	7896-5257	1 1/2	4 1/8	6.666
14MX-39S-125 REBORE	7896-5268	1 1/2	4 3/8	6.842
14MX-40S-125 REBORE	7896-5280	1 1/2	4 3/8	7.017
14MX-43S-125 REBORE	7896-5326	1 1/2	4 13/16	7.543
14MX-45S-125 REBORE	7896-5447	1 1/2	5	7.894
14MX-48S-125 REBORE	7896-5448	1 1/2	5 5/8	8.421

SYNCHRONOUS METAL





PowerGrip® GT®2 and Poly Chain® GT® - 5M Sprockets

Markets/Applications

Use with 5mm pitch PowerGrip GT2 or Poly Chain GT Belts.

Features/Advantages

- Full split in bushing allows easy installation and removal.
- Precise sprocket design produces positive, press fit to shaft.
- Smaller, narrower sprockets save shaft space, keep the load closer to bearing and extend life of reducer.
- Precision manufactured and static balanced.



Notes

Sprocket part numbers are comprised of pitch, number of grooves and width. For example; part number P52-5MGT-15 denotes 52 grooves, 5mm pitch and 15mm width.

On a sprocket, pitch is the distance between groove centers and is measured on the pitch circle of the sprocket. The pitch circle of the sprocket coincides with the pitch line of the belt mating with it. The pitch diameter of the sprocket is always greater than its outside diameter.

Abbreviations used for sprocket materials: GI=Gray Iron, DI=Ductile Iron, SiS=Sintered Steel, ST=Steel, CI=Cast Iron.

WARNING: Do NOT use these sprockets with rim speeds in excess of 6,500 fpm.

Product No. Series 7709

5mm Pitch Sprockets — For Belts 9 and 15mm Wide

Part No.	Product No.	No. of Grooves	Pitch Dia. (In.)	Wt. Ea. (Lbs.)	Material	Bore or Bushing	Bore Range (In.)
P18-5MGT-15-MPB	7709-3018	18	1.128	.25	ST	MPB	1/4 - 3/8
P19-5MGT-15-MPB	7709-3019	19	1.191	.32	ST	MPB	1/4 - 7/16
P20-5MGT-15-MPB	7709-3020	20	1.253	.35	ST	MPB	1/4 - 1/2
P21-5MGT-15-MPB	7709-3021	21	1.316	.40	ST	MPB	1/4 - 1/2
P22-5MGT-15-MPB	7709-3022	22	1.379	.38	ST	MPB	1/4 - 1/2
P23-5MGT-15-MPB	7709-3023	23	1.441	.48	ST	MPB	3/8 - 5/8
P24-5MGT-15-MPB	7709-3024	24	1.504	.50	ST	MPB	3/8 - 5/8
P25-5MGT-15-MPB	7709-3025	25	1.567	.55	ST	MPB	3/8 - 5/8
P26-5MGT-15-MPB	7709-3026	26	1.629	.65	ST	MPB	3/8 - 11/16
P28-5MGT-15-MPB	7709-3028	28	1.755	.70	ST	MPB	1/2 - 3/4
P30-5MGT-15-MPB	7709-3030	30	1.880	.80	ST	MPB	1/2 - 15/16
P32-5MGT-15-MPB	7709-3032	32	2.005	.85	ST	MPB	1/2 - 15/16
P34-5MGT-15-MPB	7709-3034	34	2.130	1.05	ST	MPB	1/2 - 1
P36-5MGT-15	7709-1036	36	2.256	.44	SiS	1108	1/2 - 1 1/8
P36-5MGT-15-MPB	7709-3036	36	2.256	1.15	ST	MPB	1/2 - 1
P38-5MGT-15	7709-1038	38	2.381	.56	SiS	1108	1/2 - 1 1/8
P38-5MGT-15-MPB	7709-3038	38	2.381	1.40	ST	MPB	1/2 - 1 1/4
P40-5MGT-15	7709-1040	40	2.506	.66	SiS	1108	1/2 - 1 1/8
P40-5MGT-15-MPB	7709-3040	40	2.506	1.60	ST	MPB	1/2 - 1 5/16
P44-5MGT-15	7709-1044	44	2.757	.92	SiS	1108	1/2 - 1 1/8
P45-5MGT-15-MPB	7709-3045	45	2.820	2.05	ST	MPB	1/2 - 1 1/2
P48-5MGT-15	7709-1048	48	3.007	1.03	SiS	1210	1/2 - 1 1/4
P50-5MGT-15-MPB	7709-3050	50	3.113	2.25	ST	MPB	1/2 - 1 3/4
P52-5MGT-15	7709-1052	52	3.258	1.32	SiS	1210	1/2 - 1 1/4
P56-5MGT-15	7709-1056	56	3.509	1.37	SiS	1610	1/2 - 1 11/16
P60-5MGT-15	7709-1060	60	3.760	3.20	SiS	1610	1/2 - 1 11/16
P64-5MGT-15	7709-1064	64	4.010	2.00	SiS	1610	1/2 - 1 11/16
P68-5MGT-15	7709-1068	68	4.261	2.35	SiS	1610	1/2 - 1 11/16
P72-5MGT-15	7709-1072	72	4.511	2.71	SiS	1610	1/2 - 1 11/16
P80-5MGT-15	7709-1080	80	5.013	3.48	SiS	1610	1/2 - 1 11/16
P90-5MGT-15	7709-1090	90	5.639	4.61	SiS	1610	1/2 - 1 11/16
P112-5MGT-15	7709-1112	112	7.018	5.00	SiS	2012	1/2 - 2 1/8

5mm Pitch Sprockets — For Belts 25mm Wide

Part No.	Product No.	No. of Grooves	Pitch Dia. (In.)	Wt. Ea. (Lbs.)	Material	Bore or Bushing	Bore Range (In.)
P18-5MGT-25-MPB	7709-5018	18	1.128	.30	ST	MPB	1/4 - 3/8
P19-5MGT-25-MPB	7709-5019	19	1.191	.40	ST	MPB	1/4 - 7/16
P20-5MGT-25-MPB	7709-5020	20	1.253	.43	ST	MPB	1/4 - 1/2

SYNCHRONOUS METAL





PowerGrip® GT®2 and Poly Chain® GT® - 5M Sprockets

Product No. Series 7709 (continued)

5mm Pitch Sprockets — For Belts 25mm Wide (continued)

Part No.	Product No.	No. of Grooves	Pitch Dia. (In.)	Wt. Ea. (Lbs.)	Material	Bore or Bushing	Bore Range (In.)
P21-5MGT-25-MPB	7709-5021	21	1.316	.50	ST	MPB	1/4 - 1/2
P22-5MGT-25-MPB	7709-5022	22	1.379	.55	ST	MPB	1/4 - 1/2
P23-5MGT-25-MPB	7709-5023	23	1.441	.60	ST	MPB	3/8 - 5/8
P24-5MGT-25-MPB	7709-5024	24	1.504	.65	ST	MPB	3/8 - 5/8
P25-5MGT-25-MPB	7709-5025	25	1.566	.70	ST	MPB	3/8 - 5/8
P26-5MGT-25-MPB	7709-5026	26	1.629	.80	ST	MPB	3/8 - 11/16
P28-5MGT-25-MPB	7709-5028	28	1.754	.90	ST	MPB	3/8 - 3/4
P30-5MGT-25-MPB	7709-5030	30	1.880	1.05	ST	MPB	1/2 - 15/16
P32-5MGT-25-MPB	7709-5032	32	2.005	1.15	ST	MPB	1/2 - 15/16
P34-5MGT-25-MPB	7709-5034	34	2.130	1.40	ST	MPB	1/2 - 1
P36-5MGT-25	7709-2036	36	2.256	1.45	SiS	1108	1/2 - 1 1/8
P36-5MGT-25-MPB	7709-5036	36	2.256	1.50	ST	MPB	1/2 - 1
P38-5MGT-25	7709-2038	38	2.381	.72	SiS	1108	1/2 - 1 1/8
P38-5MGT-25-MPB	7709-5038	38	2.381	1.80	ST	MPB	1/2 - 1 1/4
P40-5MGT-25	7709-2040	40	2.506	.92	SiS	1108	1/2 - 1 1/8
P40-5MGT-25-MPB	7709-5040	40	2.506	2.10	ST	MPB	1/2 - 1 5/16
P44-5MGT-25	7709-2044	44	2.757	1.14	SiS	1108	1/2 - 1 1/8
P45-5MGT-25-MPB	7709-5045	45	2.820	2.65	ST	MPB	1/2 - 1 1/2
P48-5MGT-25	7709-2048	48	3.008	1.30	SiS	1210	1/2 - 1 1/4
P50-5MGT-25-MPB	7709-5050	50	3.133	3.25	ST	MPB	1/2 - 1 3/4
P52-5MGT-25	7709-2052	52	3.258	1.70	SiS	1210	1/2 - 1 1/4
P56-5MGT-25	7709-2056	56	3.509	1.77	SiS	1610	1/2 - 1 11/16
P60-5MGT-25	7709-2060	60	3.760	2.16	SiS	1610	1/2 - 1 11/16
P64-5MGT-25	7709-2064	64	4.010	2.53	GI	1610	1/2 - 1 11/16
P68-5MGT-25	7709-2068	68	4.261	2.87	GI	2012	1/2 - 2 1/8
P72-5MGT-25	7709-2072	72	4.511	3.28	GI	2012	1/2 - 2 1/8
P80-5MGT-25	7709-2080	80	5.013	4.42	GI	2012	1/2 - 2 1/8
P90-5MGT-25	7709-2090	90	5.639	6.17	GI	2012	1/2 - 2 1/8
P112-5MGT-25	7709-2112	112	7.018	10.61	GI	2012	1/2 - 2 1/8

SYNCHRONOUS METAL





PowerGrip® GT®2 Sprockets - 8M and 14M

Markets/Applications

Use with PowerGrip GT2 and PowerGrip GT Belts.

Features/Advantages

- Full split in bushing allows easy installation and removal.
- Precise sprocket design produces positive, press fit to shaft.
- Smaller, narrower sprockets save shaft space, keep the load closer to bearing and extend life of reducer.
- Precision manufactured and static balanced.



Notes

Sprocket part numbers are comprised of pitch, number of grooves and width. For example; part number P27-8MGT-30 denotes 27 grooves, 8mm pitch and 30mm width.

On a sprocket, pitch is the distance between groove centers and is measured on the pitch circle of the sprocket. The pitch circle of the sprocket coincides with the pitch line of the belt mating with it. The pitch diameter of the sprocket is always greater than its outside diameter.

Abbreviations used for sprocket materials: GI=Gray Iron, DI=Ductile Iron, SiS=Sintered Steel, ST=Steel, CI=Cast Iron.

WARNING: Do NOT use these sprockets with rim speeds in excess of 6,500 fpm.

Product No. Series 7708

8mm Pitch Sprockets — For Belts 12mm Wide

Part No.	Product No.	No. of Grooves	Pitch Dia. (In.)	Wt. Ea. (Lbs.)	Material	Bore or Bushing	Bore Range (In.)
P22-8MGT-12	7708-1222	22	2.206	.55	CI	1008	1/2 - 1
P23-8MGT-12	7708-1223	23	2.306	.44	CI	1008	1/2 - 1
P24-8MGT-12	7708-1224	24	2.406	.65	CI	1008	1/2 - 1
P25-8MGT-12	7708-1225	25	2.507	.70	CI	1108	1/2 - 1 1/8
P26-8MGT-12	7708-1226	26	2.607	.80	CI	1108	1/2 - 1 1/8
P27-8MGT-12	7708-1227	27	2.707	.80	CI	1108	1/2 - 1 1/8
P28-8MGT-12	7708-1228	28	2.807	1.00	CI	1108	1/2 - 1 1/8
P29-8MGT-12	7708-1229	29	2.908	1.00	CI	1210	1/2 - 1 1/4
P30-8MGT-12	7708-1230	30	3.008	1.05	CI	1210	1/2 - 1 1/4
P31-8MGT-12	7708-1231	31	3.108	.98	CI	1210	1/2 - 1 1/4
P32-8MGT-12	7708-1232	32	3.208	1.35	CI	1210	1/2 - 1 1/4
P33-8MGT-12	7708-1233	33	3.309	1.40	CI	1210	1/2 - 1 1/4
P34-8MGT-12	7708-1234	34	3.409	1.60	CI	1210	1/2 - 1 1/4
P35-8MGT-12	7708-1235	35	3.509	1.70	CI	1210	1/2 - 1 1/4
P36-8MGT-12	7708-1236	36	3.609	1.90	CI	1210	1/2 - 1 1/4
P37-8MGT-12	7708-1237	37	3.710	2.00	CI	1210	1/2 - 1 1/4
P38-8MGT-12	7708-1238	38	3.810	2.20	CI	1210	1/2 - 1 1/4
P40-8MGT-12	7708-1240	40	4.010	2.40	CI	1210	1/2 - 1 1/4
P44-8MGT-12	7708-1244	44	4.411	2.75	CI	1610	1/2 - 1 11/16
P48-8MGT-12	7708-1248	48	4.812	3.40	CI	1610	1/2 - 1 11/16
P56-8MGT-12	7708-1256	56	5.614	4.80	CI	1610	1/2 - 1 11/16
P60-8MGT-12	7708-1260	60	5.961	5.60	CI	1610	1/2 - 1 11/16
P64-8MGT-12	7708-1264	64	6.416	5.20	CI	1610	1/2 - 1 11/16
P72-8MGT-12	7708-1272	72	7.218	6.55	CI	1610	1/2 - 1 11/16
P80-8MGT-12	7708-1280	80	8.020	8.00	CI	1610	1/2 - 1 11/16
P90-8MGT-12	7708-1290	90	9.023	9.45	CI	1610	1/2 - 1 11/16

8mm Pitch Sprockets — For Belts 20mm Wide

Part No.	Product No.	No. of Grooves	Pitch Dia. (In.)	Wt. Ea. (Lbs.)	Material	Bore or Bushing	Bore Range (In.)
P22-8MGT-20	7708-2022	22	2.206	.53	DI	1108	1/2 - 1 1/8
P24-8MGT-20	7708-2024	24	2.406	.72	DI	1108	1/2 - 1 1/8
P25-8MGT-20	7708-2025	25	2.507	.80	DI	1108	1/2 - 1 1/8
P26-8MGT-20	7708-2026	26	2.607	.93	DI	1108	1/2 - 1 1/8
P27-8MGT-20	7708-2027	27	2.707	1.10	DI	1108	1/2 - 1 1/8
P28-8MGT-20	7708-2028	28	2.807	1.22	DI	1108	1/2 - 1 1/8
P29-8MGT-20	7708-2029	29	2.908	1.30	DI	1108	1/2 - 1 1/8
P30-8MGT-20	7708-2030	30	3.008	1.19	DI	1210	1/2 - 1 1/4





PowerGrip® GT® 2 Sprockets - 8M and 14M

Product No. Series 7708 (continued)

8mm Pitch Sprockets — For Belts 20mm Wide (continued)

Part No.	Product No.	No. of Grooves	Pitch Dia. (In.)	Wt. Ea. (Lbs.)	Material	Bore or Bushing	Bore Range (In.)
P31-8MGT-20	7708-2031	31	3.108	1.40	DI	1210	1/2 - 1 1/4
P32-8MGT-20	7708-2032	32	3.208	1.45	DI	1210	1/2 - 1 1/4
P33-8MGT-20	7708-2033	33	3.309	1.50	DI	1210	1/2 - 1 1/4
P34-8MGT-20	7708-2034	34	3.409	2.74	DI	1610	1/2 - 1 11/16
P35-8MGT-20	7708-2035	35	3.509	1.60	DI	1610	1/2 - 1 11/16
P36-8MGT-20	7708-2036	36	3.609	1.75	DI	1610	1/2 - 1 11/16
P37-8MGT-20	7708-2037	37	3.710	1.90	DI	1610	1/2 - 1 11/16
P38-8MGT-20	7708-2038	38	3.810	2.12	GI	1610	1/2 - 1 11/16
P39-8MGT-20	7708-2039	39	3.909	2.30	GI	1610	1/2 - 1 11/16
P40-8MGT-20	7708-2040	40	4.010	2.52	GI	1610	1/2 - 1 11/16
P42-8MGT-20	7708-2042	42	4.211	2.60	GI	1610	1/2 - 1 11/16
P44-8MGT-20	7708-2044	44	4.411	2.84	GI	2012	1/2 - 2 1/8
P46-8MGT-20	7708-2046	46	4.612	3.20	GI	2012	1/2 - 2 1/8
P48-8MGT-20	7708-2048	48	4.812	3.76	GI	2012	1/2 - 2 1/8
P50-8MGT-20	7708-2050	50	5.013	4.50	GI	2012	1/2 - 2 1/8
P53-8MGT-20	7708-2053	53	5.313	5.00	GI	2012	1/2 - 2 1/8
P56-8MGT-20	7708-2056	56	5.614	5.68	GI	2012	1/2 - 2 1/8
P64-8MGT-20	7708-2064	64	6.416	7.84	GI	2012	1/2 - 2 1/8
P72-8MGT-20	7708-2072	72	7.218	10.31	GI	2012	1/2 - 2 1/8
P80-8MGT-20	7708-2080	80	8.020	13.69	GI	2517	1/2 - 2 11/16
P90-8MGT-20	7708-2090	90	9.023	14.38	GI	2517	1/2 - 2 11/16
P112-8MGT-20	7708-2112	112	11.229	15.70	GI	2517	1/2 - 2 11/16
P144-8MGT-20	7708-2144	144	14.437	25.50	GI	2517	1/2 - 2 11/16
P192-8MGT-20	7708-2192	192	19.249	35.00	GI	3020	7/8 - 3 1/4

SYNCHRONOUS METAL

8mm Pitch Sprockets — For Belts 30mm Wide

Part No.	Product No.	No. of Grooves	Pitch Dia. (In.)	Wt. Ea. (Lbs.)	Material	Bore or Bushing	Bore Range (In.)
P22-8MGT-30	7708-3022	22	2.206	.66	DI	1108	1/2 - 1 1/8
P24-8MGT-30	7708-3024	24	2.406	.91	DI	1108	1/2 - 1 1/8
P25-8MGT-30	7708-3025	25	2.507	1.00	DI	1108	1/2 - 1 1/8
P26-8MGT-30	7708-3026	26	2.607	1.11	DI	1108	1/2 - 1 1/8
P27-8MGT-30	7708-3027	27	2.707	1.40	DI	1108	1/2 - 1 1/8
P28-8MGT-30	7708-3028	28	2.807	1.54	GI	1108	1/2 - 1 1/8
P29-8MGT-30	7708-3029	29	2.908	1.55	DI	1108	1/2 - 1 1/8
P30-8MGT-30	7708-3030	30	3.008	1.50	DI	1210	1/2 - 1 1/4
P31-8MGT-30	7708-3031	31	3.108	1.65	DI	1210	1/2 - 1 1/4
P32-8MGT-30	7708-3032	32	3.208	1.76	DI	1210	1/2 - 1 1/4
P33-8MGT-30	7708-3033	33	3.309	1.75	DI	1210	1/2 - 1 1/4
P34-8MGT-30	7708-3034	34	3.409	1.81	DI	1610	1/2 - 1 11/16
P35-8MGT-30	7708-3035	35	3.509	2.00	DI	1610	1/2 - 1 11/16
P36-8MGT-30	7708-3036	36	3.609	2.24	DI	1610	1/2 - 1 11/16
P37-8MGT-30	7708-3037	37	3.710	2.30	DI	1610	1/2 - 1 11/16
P38-8MGT-30	7708-3038	38	3.810	2.56	DI	1610	1/2 - 1 11/16
P39-8MGT-30	7708-3039	39	3.910	2.50	GI	1610	1/2 - 1 11/16
P40-8MGT-30	7708-3040	40	4.010	2.35	GI	2012	1/2 - 2 1/8
P42-8MGT-30	7708-3042	42	4.211	3.00	GI	2012	1/2 - 2 1/8
P44-8MGT-30	7708-3044	44	4.411	3.20	GI	2012	1/2 - 2 1/8
P46-8MGT-30	7708-3046	46	4.612	3.90	GI	2012	1/2 - 2 1/8
P48-8MGT-30	7708-3048	48	4.812	4.34	GI	2012	1/2 - 2 1/8
P50-8MGT-30	7708-3050	50	5.013	5.00	GI	2012	1/2 - 2 1/8
P53-8MGT-30	7708-3053	53	5.314	6.20	GI	2012	1/2 - 2 1/8
P56-8MGT-30	7708-3056	56	5.614	6.67	GI	2012	1/2 - 2 1/8





PowerGrip® GT®2 Sprockets - 8M and 14M

Product No. Series 7708 (continued)

8mm Pitch Sprockets — For Belts 30mm Wide (continued)

Part No.	Product No.	No. of Grooves	Pitch Dia. (In.)	Wt. Ea. (Lbs.)	Material	Bore or Bushing	Bore Range (In.)
P64-8MGT-30	7708-3064	64	6.416	9.54	GI	2517	1/2 - 2 11/16
P72-8MGT-30	7708-3072	72	7.218	12.76	GI	2517	1/2 - 2 11/16
P80-8MGT-30	7708-3080	80	8.020	16.57	GI	2517	1/2 - 2 11/16
P90-8MGT-30	7708-3090	90	9.023	16.81	GI	2517	1/2 - 2 11/16
P112-8MGT-30	7708-3112	112	11.229	25.50	GI	2517	1/2 - 2 11/16
P144-8MGT-30	7708-3144	144	14.437	29.14	GI	2517	1/2 - 2 11/16
P192-8MGT-30	7708-3192	192	19.249	37.20	GI	3020	7/8 - 3 1/4

8mm Pitch Sprockets — For Belts 50mm Wide

Part No.	Product No.	No. of Grooves	Pitch Dia. (In.)	Wt. Ea. (Lbs.)	Material	Bore or Bushing	Bore Range (In.)
P28-8MGT-50-MPB	7708-1028	28	2.807	3.80	DI	MPB	1/2 - 1 1/2
P30-8MGT-50	7708-5030	30	3.008	2.20	DI	1210	1/2 - 1 1/4
P32-8MGT-50	7708-5032	32	3.208	2.40	DI	1210	1/2 - 1 1/4
P34-8MGT-50	7708-5034	34	3.409	2.40	DI	1610	1/2 - 1 11/16
P36-8MGT-50	7708-5036	36	3.609	2.75	GI	1610	1/2 - 1 11/16
P38-8MGT-50	7708-5038	38	3.810	3.18	GI	1610	1/2 - 1 11/16
P40-8MGT-50	7708-5040	40	4.010	3.39	DI	2012	1/2 - 2 1/8
P44-8MGT-50	7708-5044	44	4.411	4.58	GI	2012	1/2 - 2 1/8
P48-8MGT-50	7708-5048	48	4.812	5.97	GI	2012	1/2 - 2 1/8
P56-8MGT-50	7708-5056	56	5.614	8.09	GI	2517	1/2 - 2 11/16
P64-8MGT-50	7708-5064	64	6.416	11.85	GI	2517	1/2 - 2 11/16
P72-8MGT-50	7708-5072	72	7.218	16.49	GI	2517	1/2 - 2 11/16
P80-8MGT-50	7708-5080	80	8.020	20.85	GI	2517	1/2 - 2 11/16
P90-8MGT-50	7708-5090	90	9.023	26.69	GI	3020	7/8 - 3 1/4
P112-8MGT-50	7708-5112	112	11.229	35.52	GI	3020	7/8 - 3 1/4
P144-8MGT-50	7708-5144	144	14.437	51.30	DI	3020	7/8 - 3 1/4
P192-8MGT-50	7708-5192	192	19.249	90.00	GI	3020	7/8 - 3 1/4

8mm Pitch Sprockets — For Belts 85mm Wide

Part No.	Product No.	No. of Grooves	Pitch Dia. (In.)	Wt. Ea. (Lbs.)	Material	Bore or Bushing	Bore Range (In.)
P34-8MGT-85	7708-8034	34	3.409	3.85	GI	1615	1/2 - 1 11/16
P36-8MGT-85	7708-8036	36	3.609	4.31	GI	1615	1/2 - 1 11/16
P38-8MGT-85	7708-8038	38	3.810	4.90	GI	1610	1/2 - 1 11/16
P40-8MGT-85	7708-8040	40	4.010	4.56	DI	2012	1/2 - 2 1/8
P44-8MGT-85	7708-8044	44	4.411	5.96	GI	2012	1/2 - 2 1/8
P48-8MGT-85	7708-8048	48	4.812	7.64	GI	2012	1/2 - 2 1/8
P56-8MGT-85	7708-8056	56	5.614	10.77	GI	2517	1/2 - 2 11/16
P64-8MGT-85	7708-8064	64	6.416	16.91	GI	2517	1/2 - 2 11/16
P72-8MGT-85	7708-8072	72	7.218	17.67	GI	3020	7/8 - 3 1/4
P80-8MGT-85	7708-8080	80	8.020	22.25	GI	3020	7/8 - 3 1/4
P90-8MGT-85	7708-8090	90	9.023	32.76	GI	3020	7/8 - 3 1/4
P112-8MGT-85	7708-8112	112	11.229	37.84	GI	3020	7/8 - 3 1/4
P144-8MGT-85	7708-8144	144	14.437	78.00	GI	3535	1 3/16 - 3 15/16
P192-8MGT-85	7708-8192	192	19.249	110.20	GI	3535	1 3/16 - 3 15/16

SYNCHRONOUS METAL





PowerGrip® GT®2 Sprockets - 8M and 14M

Product No. Series 7711 (continued)

14mm Pitch Sprockets — For Belts 40mm Wide

Part No.	Product No.	No. of Grooves	Pitch Dia. (In.)	Wt. Ea. (Lbs.)	Material	Bore or Bushing	Bore Range (In.)
P28-14MGT-40	7711-4028	28	4.912	6.03	GI	2012	1/2 - 2 1/8
P29-14MGT-40	7711-4029	29	5.088	6.66	GI	2012	1/2 - 2 1/8
P30-14MGT-40	7711-4030	30	5.263	6.61	GI	2012	1/2 - 2 1/8
P31-14MGT-40	7711-4031	31	5.439	7.50	GI	2012	1/2 - 2 1/8
P32-14MGT-40	7711-4032	32	5.614	8.05	GI	2012	1/2 - 2 1/8
P33-14MGT-40	7711-4033	33	5.790	9.00	GI	2012	1/2 - 2 1/8
P34-14MGT-40	7711-4034	34	5.965	9.52	GI	2012	1/2 - 2 1/8
P35-14MGT-40	7711-4035	35	6.141	10.00	GI	2012	1/2 - 2 1/8
P36-14MGT-40	7711-4036	36	6.316	10.76	GI	2517	1/2 - 2 11/16
P37-14MGT-40	7711-4037	37	6.492	11.70	GI	2517	1/2 - 2 11/16
P38-14MGT-40	7711-4038	38	6.669	12.45	GI	2517	1/2 - 2 11/16
P39-14MGT-40	7711-4039	39	6.842	13.70	GI	2517	1/2 - 2 11/16
P40-14MGT-40	7711-4040	40	7.018	14.71	GI	2517	1/2 - 2 11/16
P42-14MGT-40	7711-4042	42	7.369	16.00	GI	2517	1/2 - 2 11/16
P44-14MGT-40	7711-4044	44	7.720	18.07	GI	2517	1/2 - 2 11/16
P46-14MGT-40	7711-4046	46	8.070	21.00	GI	2517	1/2 - 2 11/16
P48-14MGT-40	7711-4048	48	8.421	22.27	GI	2517	1/2 - 2 11/16
P50-14MGT-40	7711-4050	50	8.772	25.00	GI	2517	1/2 - 2 11/16
P52-14MGT-40	7711-4052	52	9.123	27.03	GI	2517	1/2 - 2 11/16
P56-14MGT-40	7711-4056	56	9.825	31.60	GI	2517	1/2 - 2 11/16
P60-14MGT-40	7711-4060	60	10.527	29.53	GI	3020	7/8 - 3 1/4
P64-14MGT-40	7711-4064	64	11.229	32.54	GI	3020	7/8 - 3 1/4
P68-14MGT-40	7711-4068	68	11.930	32.67	GI	3020	7/8 - 3 1/4
P72-14MGT-40	7711-4072	72	12.632	39.15	GI	3020	7/8 - 3 1/4
P80-14MGT-40	7711-4080	80	14.036	33.10	GI	3020	7/8 - 3 1/4
P90-14MGT-40	7711-4090	90	15.790	39.00	GI	3020	7/8 - 3 1/4
P112-14MGT-40	7711-4112	112	19.650	45.00	GI	3020	7/8 - 3 1/4

SYNCHRONOUS METAL

14mm Pitch Sprockets — For Belts 55mm Wide

Part No.	Product No.	No. of Grooves	Pitch Dia. (In.)	Wt. Ea. (Lbs.)	Material	Bore or Bushing	Bore Range (In.)
P28-14MGT-55	7711-5028	28	4.912	7.38	GI	2012	1/2 - 2 1/8
P29-14MGT-55	7711-5029	29	5.088	8.17	GI	2012	1/2 - 2 1/8
P30-14MGT-55	7711-5030	30	5.263	7.25	GI	2517	1/2 - 2 11/16
P32-14MGT-55	7711-5032	32	5.614	9.09	GI	2517	1/2 - 2 11/16
P34-14MGT-55	7711-5034	34	5.965	11.11	GI	2517	1/2 - 2 11/16
P36-14MGT-55	7711-5036	36	6.316	12.36	GI	2517	1/2 - 2 11/16
P38-14MGT-55	7711-5038	38	6.669	15.31	GI	2517	1/2 - 2 11/16
P40-14MGT-55	7711-5040	40	7.018	16.66	GI	2517	1/2 - 2 11/16
P44-14MGT-55	7711-5044	44	7.720	20.72	GI	2517	1/2 - 2 11/16
P48-14MGT-55	7711-5048	48	8.421	24.21	GI	3020	7/8 - 3 1/4
P52-14MGT-55	7711-5052	52	9.123	29.26	GI	3020	7/8 - 3 1/4
P56-14MGT-55	7711-5056	56	9.825	34.87	GI	3020	7/8 - 3 1/4
P60-14MGT-55	7711-5060	60	10.527	41.55	GI	3020	7/8 - 3 1/4
P64-14MGT-55	7711-5064	64	11.229	48.04	GI	3020	7/8 - 3 1/4
P68-14MGT-55	7711-5068	68	11.930	42.91	GI	3020	7/8 - 3 1/4
P72-14MGT-55	7711-5072	72	12.632	47.51	GI	3020	7/8 - 3 1/4
P80-14MGT-55	7711-5080	80	14.036	37.91	GI	3020	7/8 - 3 1/4
P90-14MGT-55	7711-5090	90	15.790	55.00	GI	3020	7/8 - 3 1/4
P112-14MGT-55	7711-5112	112	19.650	65.00	GI	3020	7/8 - 3 1/4





PowerGrip® GT®2 Sprockets - 8M and 14M

Product No. Series 7711 (continued)

14mm Pitch Sprockets — For Belts 85mm Wide

Part No.	Product No.	No. of Grooves	Pitch Dia. (In.)	Wt. Ea. (Lbs.)	Material	Bore or Bushing	Bore Range (In.)
P28-14MGT-85	7711-8028	28	4.912	10.13	GI	2012	1/2 - 2 1/8
P29-14MGT-85	7711-8029	29	5.088	11.42	GI	2012	1/2 - 2 1/8
P30-14MGT-85	7711-8030	30	5.263	12.00	GI	2517	1/2 - 2 11/16
P32-14MGT-85	7711-8032	32	5.614	12.36	GI	2517	1/2 - 2 11/16
P34-14MGT-85	7711-8034	34	5.965	14.99	GI	2517	1/2 - 2 11/16
P36-14MGT-85	7711-8036	36	6.316	13.57	DI	3020	7/8 - 3 1/4
P38-14MGT-85	7711-8038	38	6.669	16.61	GI	3020	7/8 - 3 1/4
P40-14MGT-85	7711-8040	40	7.018	19.94	GI	3020	7/8 - 3 1/4
P44-14MGT-85	7711-8044	44	7.720	23.09	GI	3020	7/8 - 3 1/4
P48-14MGT-85	7711-8048	48	8.421	29.80	GI	3020	7/8 - 3 1/4
P52-14MGT-85	7711-8052	52	9.123	41.98	GI	3535	1 3/16 - 3 15/16
P56-14MGT-85	7711-8056	56	9.825	51.40	GI	3535	1 3/16 - 3 15/16
P60-14MGT-85	7711-8060	60	10.527	62.40	GI	3535	1 3/16 - 3 15/16
P64-14MGT-85	7711-8064	64	11.229	72.66	GI	3535	1 3/16 - 3 15/16
P68-14MGT-85	7711-8068	68	11.930	64.56	GI	3535	1 3/16 - 3 15/16
P72-14MGT-85	7711-8072	72	12.632	65.00	GI	3535	1 3/16 - 3 15/16
P80-14MGT-85	7711-8080	80	14.036	67.30	GI	3535	1 3/16 - 3 15/16
P90-14MGT-85	7711-8090	90	15.790	82.80	GI	3535	1 3/16 - 3 15/16
P112-14MGT-85	7711-8112	112	19.650	120.00	DI	3535	1 3/16 - 3 15/16
P144-14MGT-85	7711-8144	144	25.264	127.00	GI	4040	1 7/16 - 4 7/16
P168-14MGT-85	7711-8168	168	29.475	148.00	GI	4040	1 7/16 - 4 7/16
P192-14MGT-85	7711-8192	192	33.686	410.00	GI	4040	1 7/16 - 4 7/16

SYNCHRONOUS METAL

14mm Pitch Sprockets — For Belts 115mm Wide

Part No.	Product No.	No. of Grooves	Pitch Dia. (In.)	Wt. Ea. (Lbs.)	Material	Bore or Bushing	Bore Range (In.)
P28-14MGT-115-MPB	7711-1028	28	4.912	21.83	DI	MPB	1 1/4 - 2 11/16
P29-14MGT-115-MPB	7711-1029	29	5.088	19.00	DI	MPB	1 1/4 - 2 11/16
P30-14MGT-115	7711-1030	30	5.263	12.88	GI	2517	1/2 - 2 11/16
P32-14MGT-115	7711-1032	32	5.614	14.81	GI	2517	1/2 - 2 11/16
P34-14MGT-115	7711-1034	34	5.965	18.90	GI	2517	1/2 - 2 11/16
P36-14MGT-115	7711-1036	36	6.316	17.37	GI	3020	7/8 - 3 1/4
P38-14MGT-115	7711-1038	38	6.669	19.31	GI	3020	7/8 - 3 1/4
P40-14MGT-115	7711-1040	40	7.018	23.46	GI	3020	7/8 - 3 1/4
P44-14MGT-115	7711-1044	44	7.720	29.25	GI	3535	1 3/16 - 3 15/16
P48-14MGT-115	7711-1048	48	8.421	40.10	GI	3535	1 3/16 - 3 15/16
P52-14MGT-115	7711-1052	52	9.123	45.36	GI	4040	1 7/16 - 4 7/16
P56-14MGT-115	7711-1056	56	9.825	58.40	GI	4040	1 7/16 - 4 7/16
P60-14MGT-115	7711-1060	60	10.527	73.00	GI	4040	1 7/16 - 4 7/16
P64-14MGT-115	7711-1064	64	11.229	81.00	GI	4545	1 15/16 - 4 15/16
P68-14MGT-115	7711-1068	68	11.930	106.00	GI	4545	1 15/16 - 4 15/16
P72-14MGT-115	7711-1072	72	12.632	112.20	GI	4545	1 15/16 - 4 15/16
P80-14MGT-115	7711-1080	80	14.036	159.00	GI	4545	1 15/16 - 4 15/16
P90-14MGT-115	7711-1090	90	15.790	132.00	GI	4545	1 15/16 - 4 15/16
P112-14MGT-115	7711-1112	112	19.650	190.00	GI	4545	1 15/16 - 4 15/16
P144-14MGT-115	7711-1144	144	25.264	166.00	GI	4545	1 15/16 - 4 15/16
P168-14MGT-115	7711-1168	168	29.475	198.00	GI	4545	1 15/16 - 4 15/16
P192-14MGT-115	7711-1192	192	33.686	232.00	GI	4545	1 15/16 - 4 15/16
P216-14MGT-115	7711-1216	216	37.896	307.00	GI	6050	4 7/16 - 6

14mm Pitch Sprockets — For Belts 170mm Wide

Part No.	Product No.	No. of Grooves	Pitch Dia. (In.)	Wt. Ea. (Lbs.)	Material	Bore or Bushing	Bore Range (In.)
P36-14MGT-170-MPB	7711-7036	36	6.316	44.70	DI	MPB	1 1/2 - 3 3/8
P38-14MGT-170-MPB	7711-7038	38	6.667	50.80	DI	MPB	1 1/2 - 3 3/8
P40-14MGT-170	7711-7040	40	7.018	57.50	GI	3535	1 3/16 - 3 15/16





PowerGrip® GT®2 Sprockets - 8M and 14M

Product No. Series 7711 (continued)

14mm Pitch Sprockets — For Belts 170mm Wide (continued)

Part No.	Product No.	No. of Grooves	Pitch Dia. (In.)	Wt. Ea. (Lbs.)	Material	Bore or Bushing	Bore Range (In.)
P44-14MGT-170	7711-7044	44	7.720	58.00	GI	3535	1 3/16 - 3 15/16
P48-14MGT-170	7711-7048	48	8.421	45.00	GI	3535	1 3/16 - 3 15/16
P52-14MGT-170	7711-7052	52	9.123	60.00	GI	4040	1 7/16 - 4 7/16
P56-14MGT-170	7711-7056	56	9.825	65.00	GI	4040	1 7/16 - 4 7/16
P60-14MGT-170	7711-7060	60	10.527	85.00	GI	4545	1 15/16 - 4 15/16
P64-14MGT-170	7711-7064	64	11.229	91.02	GI	4545	1 15/16 - 4 15/16
P68-14MGT-170	7711-7068	68	11.930	110.00	GI	4545	1 15/16 - 4 15/16
P72-14MGT-170	7711-7072	72	12.632	115.00	GI	4545	1 15/16 - 4 15/16
P80-14MGT-170	7711-7080	80	14.036	125.00	GI	4545	1 15/16 - 4 15/16
P90-14MGT-170	7711-7090	90	15.790	145.00	GI	4545	1 15/16 - 4 15/16
P112-14MGT-170	7711-7112	112	19.650	175.00	GI	4545	1 15/16 - 4 15/16
P144-14MGT-170	7711-7144	144	25.264	240.00	GI	6050	4 7/16 - 6
P168-14MGT-170	7711-7168	168	29.475	278.00	GI	6050	4 7/16 - 6
P192-14MGT-170	7711-7192	192	33.686	322.00	GI	6050	4 7/16 - 6
P216-14MGT-170	7711-7216	216	37.896	300.00	DI	6050	4 7/16 - 6

SYNCHRONOUS METAL

14mm Pitch PowerGrip® GT®2-Taper-Lock® Sprockets for ACHE Applications — For Belts 40mm Wide

Part No.	Product No.	No. of Grooves	Pitch Dia. (In.)	Wt. Ea. (Lbs.)	Material	Bore or Bushing	Bore Range (In.)
P144-14MGT-40	7711-4144	144	25.264	80.00	GI	3020	7/8 - 3 1/4
P168-14MGT-40	7711-4168	168	29.475	115.00	GI	3020	7/8 - 3 1/4
P192-14MGT-40	7711-4192	192	33.686	120.00	GI	3020	7/8 - 3 1/4

14mm Pitch PowerGrip® GT®2-Taper-Lock® Sprockets for ACHE Applications — For Belts 55mm Wide

Part No.	Product No.	No. of Grooves	Pitch Dia. (In.)	Wt. Ea. (Lbs.)	Material	Bore or Bushing	Bore Range (In.)
P144-14MGT-55	7711-5144	144	25.264	104.00	GI	3020	7/8 - 3 1/4
P168-14MGT-55	7711-5168	168	29.475	124.00	GI	3020	7/8 - 3 1/4
P192-14MGT-55	7711-5192	192	33.686	146.00	GI	3535	1 3/16 - 3 15/16
P216-14MGT-55	7711-0050	216	37.893	150.00	GI	3020	7/8 - 3 1/4

14mm Pitch PowerGrip® GT®2 - QD® Sprockets for ACHE Applications — For Belts 40mm Wide

Part No.	Product No.	No. of Grooves	Pitch Dia. (In.)	Wt. Ea. (Lbs.)	Material	Bore or Bushing	Bore Range (In.)
F28-14MGT-40-SK	7711-4328	28	4.912	4.30	GI	SK	1/2 - 2 1/2
F29-14MGT-40-SK	7711-4329	29	5.088	4.60	GI	SK	1/2 - 2 1/2
F30-14MGT-40-SK	7711-4330	30	5.263	5.20	GI	SK	1/2 - 2 1/2
F31-14MGT-40-SK	7711-4331	31	5.439	5.60	GI	SK	1/2 - 2 1/2
F32-14MGT-40-SK	7711-4332	32	5.614	6.40	GI	SK	1/2 - 2 1/2
F33-14MGT-40-SK	7711-4333	33	5.790	6.70	GI	SK	1/2 - 2 1/2
F34-14MGT-40-SK	7711-4334	34	5.965	7.10	GI	SK	1/2 - 2 1/2
F35-14MGT-40-SK	7711-4335	35	6.141	7.70	GI	SK	1/2 - 2 1/2
F140-14MGT-40-E	7711-4340	140	24.562	64.60	GI	E	7/8 - 3 1/2
F168-14MGT-40-E	7711-4368	168	29.475	85.30	GI	E	7/8 - 3 1/2
F180-14MGT-40-E	7711-4380	180	31.580	95.00	GI	E	7/8 - 3 1/2
F192-14MGT-40-E	7711-4392	192	33.686	109.00	GI	E	7/8 - 3 1/2
F200-14MGT-40-E	7711-4320	200	35.089	112.20	GI	E	7/8 - 3 1/2
F216-14MGT-40-E	7711-4316	216	37.895	125.00	GI	E	7/8 - 3 1/2
F224-14MGT-40-F	7711-4322	224	39.300	134.60	GI	F	1 - 3 15/16





PowerGrip® GT®2 Sprockets - 8M and 14M

Product No. Series 7711 (continued)

14mm Pitch PowerGrip® GT®2 - QD® Sprockets for ACHE Applications — For Belts 55mm Wide

Part No.	Product No.	No. of Grooves	Pitch Dia. (In.)	Wt. Ea. (Lbs.)	Material	Bore or Bushing	Bore Range (In.)
F28-14MGT-55-SK	7711-5528	28	4.912	5.00	GI	SK	1/2 - 2 1/2
F29-14MGT-55-SK	7711-5529	29	5.088	5.50	GI	SK	1/2 - 2 1/2
F30-14MGT-55-SK	7711-5530	30	5.263	6.00	GI	SK	1/2 - 2 1/2
F31-14MGT-55-SK	7711-5531	31	5.439	6.50	GI	SK	1/2 - 2 1/2
F32-14MGT-55-SK	7711-5532	32	5.614	7.10	GI	SK	1/2 - 2 1/2
F33-14MGT-55-SK	7711-5533	33	5.790	7.60	GI	SK	1/2 - 2 1/2
F34-14MGT-55-SK	7711-5534	34	5.965	8.20	GI	SK	1/2 - 2 1/2
F35-14MGT-55-SK	7711-5535	35	6.141	8.80	GI	SK	1/2 - 2 1/2
F180-14MGT-55-F	7711-5580	180	31.580	119.20	GI	F	1 - 3 15/16
F200-14MGT-55-F	7711-5520	200	35.089	141.60	GI	F	1 - 3 15/16
F224-14MGT-55-F	7711-5522	224	39.300	170.80	GI	F	1 - 3 15/16

SYNCHRONOUS METAL



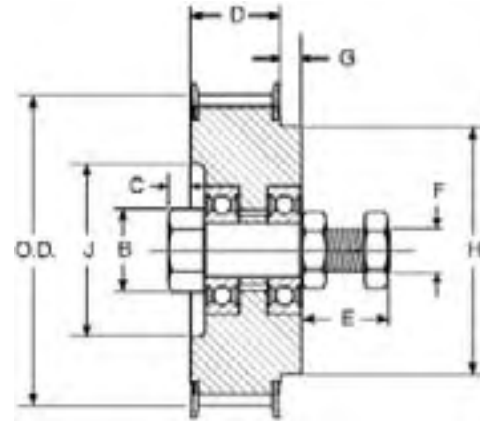


PowerGrip® GT® 2 Idler Hardware

Product No. Series 7720

Idler Sprockets (Integral Shaft Included)

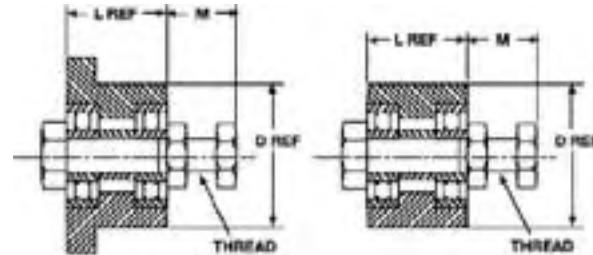
Part No.	Product No.	Size	Wt. Ea. (Lbs.)
20-SPK2-IDL	7720-1740	32S-8MGT-20-IDL-SPRK	1.10
30-SPK2-IDL	7720-1750	36S-8MGT-30-IDL-SPRK	2.00
40-SPK2-IDL	7720-1850	30S-14MGT-40-IDL-SPRK	12.00
55-SPK2-IDL	7720-1860	34S-14MGT-55-IDL-SPRK	15.60



SYNCHRONOUS METAL

Idler Bushings (Integral Shaft Included)

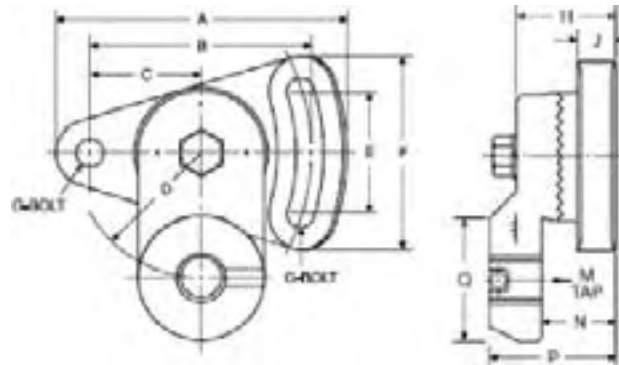
Part No.	Product No.	Wt. Ea. (Lbs.)
20-IDLR-BUSH(SK)	7720-1120	11.00
30-IDLR-BUSH(SF)	7720-1130	8.60
40-IDLR-BUSH(E)	7720-1140	8.62
1610-IDLR-BUSH	7720-2610	1.30
2012-IDLR-BUSH	7720-2012	2.30
2517-IDLR-BUSH	7720-2517	3.90



14mm Idler Sprockets: Use 20-IDL-BRAK with 30-IDL-BUSH and 40-IDL-BUSH. 8mm Idler Sprockets: Use 05-IDL-BRAK with 1610-IDL-Bush; Use 10-IDL-BRAK with 2012-IDL-BUSH, 2517-IDL-BUSH and 2012-IDL-BUSH.

Idler Brackets

Part No.	Product No.	Wt. Ea. (Lbs.)
5-IDL-BRAK	7720-1005	2.80
10-IDL-BRAK	7720-1010	3.40
20-IDL-BRAK	7720-1020	11.20



14mm Idler Sprockets: Use 20-IDL-BRAK with 30-IDL-BUSH and 40-IDL-BUSH. 8mm Idler Sprockets: Use 05-IDL-BRAK with 1610-IDL-Bush; Use 10-IDL-BRAK with 2012-IDL-BUSH, 2517-IDL-BUSH and 2012-IDL-BUSH.





PowerGrip® GT®2 Sprockets - 2MR and 3MR

Markets/Applications

Use with 2MR and 3MR PowerGrip GT2 belts.

Features/Advantages

- Precise sprocket design produces positive, press fit to shaft.
- Smaller, narrower sprockets save shaft space.
- Precision manufactured and static balanced to eliminate sprocket wobble.

Notes

2MR and 3MR sprockets are available in minimum plain bore (MPB).

Sprocket part numbers are comprised of pitch, number of grooves and width. For example; part number 2MR-32S-06 denotes 2mm pitch, 32 grooves, "S" for sprocket and 6mm width.

On a sprocket, pitch is the distance between groove centers and is measured on the pitch circle of the sprocket. The pitch circle of the sprocket coincides with the pitch line of the belt mating with it. The pitch diameter of the sprocket is always greater than its outside diameter.

Abbreviations used for sprocket material: AL=Aluminum.



Product No. Series 7842

2MR Pitch Sprockets - Aluminum - MPB Type — For Belts 4 and 6mm Wide

Part No.	Product No.	No. of Grooves	Pitch Dia. (In.)	Wt. Ea. (Lbs.)	Material	Bore or Bushing	Bore Range (In.)
2MR-12S-06	7842-6001	12	.301	.01	AL	MPB	1/8 - 1/8
2MR-13S-06	7842-6002	13	.326	.01	AL	MPB	1/8 - 1/8
2MR-14S-06	7842-6003	14	.351	.01	AL	MPB	1/8 - 1/8
2MR-15S-06	7842-6004	15	.376	.01	AL	MPB	3/16 - 3/16
2MR-16S-06	7842-6005	16	.401	.01	AL	MPB	3/16 - 3/16
2MR-17S-06	7842-6006	17	.426	.01	AL	MPB	3/16 - 3/16
2MR-18S-06	7842-6007	18	.451	.01	AL	MPB	3/16 - 3/16
2MR-19S-06	7842-6008	19	.476	.02	AL	MPB	3/16 - 3/16
2MR-20S-06	7842-6009	20	.501	.02	AL	MPB	3/16 - 3/16
2MR-21S-06	7842-6010	21	.526	.02	AL	MPB	3/16 - 3/16
2MR-22S-06	7842-6011	22	.551	.02	AL	MPB	3/16 - 3/16
2MR-24S-06	7842-6012	24	.602	.02	AL	MPB	1/4 - 1/4
2MR-25S-06	7842-6051	25	.627	.05	AL	MPB	1/4 - 1/4
2MR-26S-06	7842-6013	26	.652	.03	AL	MPB	1/4 - 1/4
2MR-28S-06	7842-6014	28	.702	.03	AL	MPB	1/4 - 1/4
2MR-30S-06	7842-6015	30	.752	.03	AL	MPB	1/4 - 5/16
2MR-32S-06	7842-6016	32	.802	.03	AL	MPB	1/4 - 3/8
2MR-36S-06	7842-6017	36	.902	.04	AL	MPB	1/4 - 7/16
2MR-40S-06	7842-6018	40	1.003	.06	AL	MPB	1/4 - 1/2
2MR-42S-06	7842-6052	42	1.053	.05	AL	MPB	1/4 - 5/8
2MR-44S-06	7842-6053	44	1.103	.05	AL	MPB	1/4 - 11/16
2MR-45S-06	7842-6019	45	1.128	.06	AL	MPB	1/4 - 11/16
2MR-48S-06	7842-6054	48	1.203	.05	AL	MPB	1/4 - 11/16
2MR-50S-06	7842-6020	50	1.253	.06	AL	MPB	1/4 - 11/16
2MR-56S-06	7842-6021	56	1.404	.06	AL	MPB	1/4 - 13/16
2MR-60S-06	7842-6055	60	1.504	.15	AL	MPB	1/4 - 7/8
2MR-62S-06	7842-6022	62	1.554	.08	AL	MPB	1/4 - 15/16
2MR-68S-06	7842-6023	68	1.704	.13	AL	MPB	1/4 - 15/16
2MR-72S-06	7842-6056	72	1.805	.05	AL	MPB	1/4 - 15/16
2MR-74S-06	7842-6024	74	1.855	.13	AL	MPB	1/4 - 1
2MR-80S-06	7842-6025	80	2.005	.20	AL	MPB	5/16 - 1 1/4
2MR-90S-06	7842-6057	90	2.256	.05	AL	MPB	5/16 - 1 1/4
2MR-100S-06	7842-6058	100	2.506	.05	AL	MPB	5/16 - 1 1/4
2MR-120S-06	7842-6059	120	3.008	.05	AL	MPB	3/8 - 1 1/4

SYNCHRONOUS METAL





PowerGrip® GT® 2 Sprockets - 2MR and 3MR

Product No. Series 7842 (continued)

2MR Pitch Sprockets - Aluminum - MPB Type — For Belts 9mm Wide

Part No.	Product No.	No. of Grooves	Pitch Dia. (In.)	Wt. Ea. (Lbs.)	Material	Bore or Bushing	Bore Range (In.)
2MR-12S-09	7842-6026	12	.301	.01	AL	MPB	1/8 - 1/8
2MR-13S-09	7842-6027	13	.326	.01	AL	MPB	1/8 - 1/8
2MR-14S-09	7842-6028	14	.351	.01	AL	MPB	1/8 - 1/8
2MR-15S-09	7842-6029	15	.376	.01	AL	MPB	3/16 - 3/16
2MR-16S-09	7842-6030	16	.401	.01	AL	MPB	3/16 - 3/16
2MR-17S-09	7842-6031	17	.426	.01	AL	MPB	3/16 - 3/16
2MR-18S-09	7842-6032	18	.451	.01	AL	MPB	3/16 - 3/16
2MR-19S-09	7842-6033	19	.476	.02	AL	MPB	3/16 - 3/16
2MR-20S-09	7842-6034	20	.501	.02	AL	MPB	3/16 - 3/16
2MR-21S-09	7842-6035	21	.526	.02	AL	MPB	3/16 - 3/16
2MR-22S-09	7842-6036	22	.551	.02	AL	MPB	3/16 - 3/16
2MR-24S-09	7842-6037	24	.602	.02	AL	MPB	1/4 - 1/4
2MR-25S-09	7842-6060	25	.627	.05	AL	MPB	1/4 - 1/4
2MR-26S-09	7842-6038	26	.652	.03	AL	MPB	1/4 - 1/4
2MR-28S-09	7842-6039	28	.702	.03	AL	MPB	1/4 - 1/4
2MR-30S-09	7842-6040	30	.752	.03	AL	MPB	1/4 - 5/16
2MR-32S-09	7842-6041	32	.802	.03	AL	MPB	1/4 - 3/8
2MR-36S-09	7842-6042	36	.902	.04	AL	MPB	1/4 - 7/16
2MR-40S-09	7842-6043	40	1.003	.06	AL	MPB	1/4 - 1/2
2MR-42S-09	7842-6061	42	1.053	.10	AL	MPB	1/4 - 5/8
2MR-44S-09	7842-6062	44	1.103	.10	AL	MPB	1/4 - 11/16
2MR-45S-09	7842-6044	45	1.128	.06	AL	MPB	1/4 - 11/16
2MR-48S-09	7842-6063	48	1.203	.10	AL	MPB	1/4 - 11/16
2MR-50S-09	7842-6045	50	1.253	.06	AL	MPB	1/4 - 11/16
2MR-56S-09	7842-6046	56	1.404	.06	AL	MPB	1/4 - 13/16
2MR-60S-09	7842-6064	60	1.504	.15	AL	MPB	1/4 - 7/8
2MR-62S-09	7842-6047	62	1.554	.05	AL	MPB	1/4 - 15/16
2MR-68S-09	7842-6048	68	1.704	.05	AL	MPB	1/4 - 15/16
2MR-72S-09	7842-6065	72	1.805	.15	AL	MPB	1/4 - 15/16
2MR-74S-09	7842-6049	74	1.855	.05	AL	MPB	1/4 - 1
2MR-80S-09	7842-6050	80	2.005	.20	AL	MPB	5/16 - 1 1/4
2MR-90S-09	7842-6066	90	2.256	.15	AL	MPB	5/16 - 1 1/4
2MR-100S-09	7842-6067	100	2.506	.20	AL	MPB	5/16 - 1 1/4
2MR-120S-09	7842-6068	120	3.008	.45	AL	MPB	3/8 - 1 1/4

SYNCHRONOUS METAL

Product No. Series 7843

3MR Pitch Sprockets - Aluminum - MPB Type — For Belts 6mm Wide

Part No.	Product No.	No. of Grooves	Pitch Dia. (In.)	Wt. Ea. (Lbs.)	Material	Bore or Bushing	Bore Range (In.)
3MR-16S-06	7843-6047	16	.602	.05	AL	MPB	3/16 - 1/4
3MR-17S-06	7843-6048	17	.639	.05	AL	MPB	3/16 - 1/4
3MR-18S-06	7843-6049	18	.677	.05	AL	MPB	1/4 - 1/4
3MR-19S-06	7843-6050	19	.714	.05	AL	MPB	1/4 - 1/4
3MR-20S-06	7843-6051	20	.752	.05	AL	MPB	1/4 - 1/4
3MR-21S-06	7843-6052	21	.790	.05	AL	MPB	1/4 - 1/4
3MR-22S-06	7843-6053	22	.827	.05	AL	MPB	1/4 - 5/16
3MR-24S-06	7843-6054	24	.902	.05	AL	MPB	1/4 - 3/8
3MR-25S-06	7843-6055	25	.940	.05	AL	MPB	1/4 - 3/8
3MR-26S-06	7843-6056	26	.977	.05	AL	MPB	1/4 - 3/8
3MR-28S-06	7843-6057	28	1.053	.05	AL	MPB	1/4 - 1/2
3MR-30S-06	7843-6058	30	1.128	.05	AL	MPB	1/4 - 9/16
3MR-32S-06	7843-6059	32	1.203	.05	AL	MPB	1/4 - 5/8
3MR-34S-06	7843-6060	34	1.278	.10	AL	MPB	1/4 - 11/16
3MR-36S-06	7843-6061	36	1.353	.10	AL	MPB	1/4 - 3/4
3MR-38S-06	7843-6062	38	1.429	.10	AL	MPB	1/4 - 7/8
3MR-40S-06	7843-6063	40	1.504	.10	AL	MPB	1/4 - 5/16
3MR-44S-06	7843-6064	44	1.654	.15	AL	MPB	1/4 - 1
3MR-45S-06	7843-6065	45	1.692	.15	AL	MPB	1/4 - 1





PowerGrip® GT®2 Sprockets - 2MR and 3MR

Product No. Series 7843 (continued)

3MR Pitch Sprockets - Aluminum - MPB Type — For Belts 6mm Wide (continued)

Part No.	Product No.	No. of Grooves	Pitch Dia. (In.)	Wt. Ea. (Lbs.)	Material	Bore or Bushing	Bore Range (In.)
3MR-48S-06	7843-6066	48	1.805	.15	AL	MPB	5/16 - 1
3MR-50S-06	7843-6067	50	1.880	.15	AL	MPB	5/16 - 1
3MR-56S-06	7843-6068	56	2.105	.20	AL	MPB	5/16 - 1
3MR-60S-06	7843-6069	60	2.256	.20	AL	MPB	5/16 - 1
3MR-62S-06	7843-6070	62	2.331	.25	AL	MPB	5/16 - 1
3MR-68S-06	7843-6071	68	2.557	.25	AL	MPB	5/16 - 1
3MR-72S-06	7843-6072	72	2.707	.25	AL	MPB	5/16 - 1
3MR-74S-06	7843-6073	74	2.782	.25	AL	MPB	5/16 - 1
3MR-80S-06	7843-6074	80	3.008	.25	AL	MPB	5/16 - 1

3MR Pitch Sprockets - Aluminum - MPB Type — For Belts 9mm Wide

Part No.	Product No.	No. of Grooves	Pitch Dia. (In.)	Wt. Ea. (Lbs.)	Material	Bore or Bushing	Bore Range (In.)
3MR-16S-09	7843-6001	16	.602	.02	AL	MPB	3/16 - 1/4
3MR-17S-09	7843-6002	17	.639	.02	AL	MPB	3/16 - 1/4
3MR-18S-09	7843-6003	18	.677	.02	AL	MPB	1/4 - 1/4
3MR-19S-09	7843-6004	19	.714	.02	AL	MPB	1/4 - 1/4
3MR-20S-09	7843-6005	20	.752	.02	AL	MPB	1/4 - 1/4
3MR-21S-09	7843-6006	21	.790	.02	AL	MPB	1/4 - 1/4
3MR-22S-09	7843-6007	22	.827	.02	AL	MPB	1/4 - 5/16
3MR-24S-09	7843-6008	24	.902	.02	AL	MPB	1/4 - 3/8
3MR-25S-09	7843-6075	25	.940	.04	AL	MPB	1/4 - 3/8
3MR-26S-09	7843-6009	26	.978	.02	AL	MPB	1/4 - 3/8
3MR-28S-09	7843-6010	28	1.053	.02	AL	MPB	1/4 - 1/2
3MR-30S-09	7843-6011	30	1.128	.02	AL	MPB	1/4 - 9/16
3MR-32S-09	7843-6012	32	1.203	.02	AL	MPB	1/4 - 5/8
3MR-34S-09	7843-6013	34	1.278	.02	AL	MPB	1/4 - 11/16
3MR-36S-09	7843-6014	36	1.353	.02	AL	MPB	1/4 - 3/4
3MR-38S-09	7843-6015	38	1.429	.03	AL	MPB	1/4 - 7/8
3MR-40S-09	7843-6016	40	1.504	.09	AL	MPB	1/4 - 15/16
3MR-44S-09	7843-6076	44	1.654	.20	AL	MPB	1/4 - 1
3MR-45S-09	7843-6017	45	1.692	.15	AL	MPB	5/16 - 1
3MR-48S-09	7843-6077	48	1.805	.20	AL	MPB	5/16 - 1
3MR-50S-09	7843-6018	50	1.880	.15	AL	MPB	5/16 - 1
3MR-56S-09	7843-6019	56	2.105	.20	AL	MPB	5/16 - 1
3MR-60S-09	7843-6078	60	2.256	.25	AL	MPB	5/16 - 1
3MR-62S-09	7843-6020	62	2.331	.12	AL	MPB	5/16 - 1
3MR-68S-09	7843-6021	68	2.557	.30	AL	MPB	5/16 - 1
3MR-72S-09	7843-6079	72	2.707	.30	AL	MPB	5/16 - 1
3MR-74S-09	7843-6022	74	2.782	.35	AL	MPB	5/16 - 1
3MR-80S-09	7843-6023	80	3.008	.16	AL	MPB	5/16 - 1
3MR-90S-09	7843-6080	90	3.384	.50	AL	MPB	5/16 - 1
3MR-100S-09	7843-6081	100	3.760	.60	AL	MPB	5/16 - 1
3MR-120S-09	7843-6082	120	4.511	.01	AL	MPB	5/16 - 1

3MR Pitch Sprockets - Aluminum - MPB Type — For Belts 15mm Wide

Part No.	Product No.	No. of Grooves	Pitch Dia. (In.)	Wt. Ea. (Lbs.)	Material	Bore or Bushing	Bore Range (In.)
3MR-16S-15	7843-6024	16	.602	.02	AL	MPB	3/16 - 1/4
3MR-17S-15	7843-6025	17	.639	.02	AL	MPB	3/16 - 1/4
3MR-18S-15	7843-6026	18	.677	.02	AL	MPB	1/4 - 1/4
3MR-19S-15	7843-6027	19	.714	.02	AL	MPB	1/4 - 1/4
3MR-20S-15	7843-6028	20	.752	.02	AL	MPB	1/4 - 1/4
3MR-21S-15	7843-6029	21	.790	.02	AL	MPB	1/4 - 1/4
3MR-22S-15	7843-6030	22	.827	.02	AL	MPB	1/4 - 5/16
3MR-24S-15	7843-6031	24	.902	.02	AL	MPB	1/4 - 3/8

SYNCHRONOUS METAL





PowerGrip® GT® 2 Sprockets - 2MR and 3MR

Product No. Series 7843 (continued)

3MR Pitch Sprockets - Aluminum - MPB Type — For Belts 15mm Wide (continued)

Part No.	Product No.	No. of Grooves	Pitch Dia. (In.)	Wt. Ea. (Lbs.)	Material	Bore or Bushing	Bore Range (In.)
3MR-25S-15	7843-6083	25	.940	.05	AL	MPB	1/4 - 3/8
3MR-26S-15	7843-6032	26	.978	.02	AL	MPB	1/4 - 3/8
3MR-28S-15	7843-6033	28	1.053	.02	AL	MPB	1/4 - 1/2
3MR-30S-15	7843-6034	30	1.128	.02	AL	MPB	1/4 - 9/16
3MR-32S-15	7843-6035	32	1.203	.02	AL	MPB	1/4 - 5/8
3MR-34S-15	7843-6036	34	1.278	.02	AL	MPB	1/4 - 11/16
3MR-36S-15	7843-6037	36	1.353	.02	AL	MPB	1/4 - 3/4
3MR-38S-15	7843-6038	38	1.429	.15	AL	MPB	1/4 - 7/8
3MR-40S-15	7843-6039	40	1.504	.15	AL	MPB	1/4 - 15/16
3MR-44S-15	7843-6084	44	1.654	.05	AL	MPB	1/4 - 1
3MR-45S-15	7843-6040	45	1.692	.15	AL	MPB	1/4 - 1
3MR-48S-15	7843-6085	48	1.805	.15	AL	MPB	5/16 - 1
3MR-50S-15	7843-6041	50	1.880	.25	AL	MPB	5/16 - 1
3MR-56S-15	7843-6042	56	2.105	.30	AL	MPB	5/16 - 1
3MR-60S-15	7843-6086	60	2.256	.30	AL	MPB	5/16 - 1
3MR-62S-15	7843-6043	62	2.331	.35	AL	MPB	5/16 - 1
3MR-68S-15	7843-6044	68	2.557	.12	AL	MPB	5/16 - 1
3MR-72S-15	7843-6087	72	2.707	.05	AL	MPB	5/16 - 1
3MR-74S-15	7843-6045	74	2.782	.50	AL	MPB	5/16 - 1
3MR-80S-15	7843-6046	80	3.008	.55	AL	MPB	5/16 - 1
3MR-90S-15	7843-6088	90	3.384	.70	AL	MPB	5/16 - 1
3MR-100S-15	7843-6089	100	3.760	.05	AL	MPB	5/16 - 1
3MR-120S-15	7843-6090	120	4.511	1.25	AL	MPB	5/16 - 1

SYNCHRONOUS METAL





PowerGrip® HTD® Sprockets

Markets/Applications

Use with PowerGrip HTD Belts.

Features/Advantages

- Full split in bushing allows easy installation and removal.
- Precise sprocket design produces positive, press fit to shaft.
- Precision manufactured and static balanced to eliminate sprocket wobble.

Notes

3M and 5M PowerGrip HTD Sprockets are available in minimum plain bore (MPB). 20M sprockets are available in QD® style.

Sprocket part numbers are comprised of number of grooves, pitch and width. For example; part number P14-5M-09AL denotes 14 grooves, 5mm pitch, 9mm width and "AL" for aluminum.

On a sprocket, pitch is the distance between groove centers and is measured on the pitch circle of the sprocket. The pitch circle of the sprocket coincides with the pitch line of the belt mating with it. The pitch diameter of the sprocket is always greater than its outside diameter.

Abbreviations used for sprocket materials: AL=Aluminum and GI=Gray Iron.

WARNING: Do **NOT** use these sprockets with rim speeds in excess of 6,500 fpm.



SYNCHRONOUS METAL

Product No. Series 7882

3mm Pitch Sprockets - Aluminum - MPB Type — For Belts 6mm Wide

Part No.	Product No.	No. of Grooves	Pitch Dia. (In.)	Wt. Ea. (Lbs.)	Material	Bore or Bushing	Bore Range (In.)
P10-3M-06AL	7882-0001	10	.376	.01	AL	MPB	1/8 - 1/8
P11-3M-06AL	7882-1082	11	.414	.01	AL	MPB	1/8 - 1/8
P12-3M-06AL	7882-0003	12	.451	.02	AL	MPB	3/16 - 3/16
P13-3M-06AL	7882-1083	13	.489	.01	AL	MPB	3/16 - 3/16
P14-3M-06AL	7882-0005	14	.526	.02	AL	MPB	3/16 - 3/16
P15-3M-06AL	7882-0007	15	.564	.02	AL	MPB	3/16 - 3/16
P16-3M-06AL	7882-0009	16	.602	.02	AL	MPB	3/16 - 3/16
P17-3M-06AL	7882-0011	17	.639	.02	AL	MPB	3/16 - 3/16
P18-3M-06AL	7882-0048	18	.677	.02	AL	MPB	1/4 - 1/4
P19-3M-06AL	7882-0014	19	.714	.02	AL	MPB	1/4 - 1/4
P20-3M-06AL	7882-0016	20	.752	.02	AL	MPB	1/4 - 1/4
P22-3M-06AL	7882-0018	22	.827	.02	AL	MPB	1/4 - 1/4
P24-3M-06AL	7882-0020	24	.902	.05	AL	MPB	1/4 - 5/16
P25-3M-06AL	7882-1084	25	.940	.05	AL	MPB	1/4 - 5/16
P26-3M-06AL	7882-0022	26	.977	.04	AL	MPB	1/4 - 5/16
P28-3M-06AL	7882-0024	28	1.053	.04	AL	MPB	1/4 - 3/8
P30-3M-06AL	7882-0026	30	1.128	.05	AL	MPB	1/4 - 7/16
P32-3M-06AL	7882-0028	32	1.203	.06	AL	MPB	1/4 - 1/2
P34-3M-06AL	7882-0030	34	1.278	.08	AL	MPB	1/4 - 9/16
P36-3M-06AL	7882-0032	36	1.353	.08	AL	MPB	1/4 - 5/8
P38-3M-06AL	7882-0034	38	1.429	.08	AL	MPB	1/4 - 3/4
P40-3M-06AL	7882-0036	40	1.504	.10	AL	MPB	1/4 - 13/16
P44-3M-06AL	7882-0038	44	1.654	.10	AL	MPB	1/4 - 15/16
P48-3M-06AL	7882-1085	48	1.805	.15	AL	MPB	5/16 - 15/16
P50-3M-06AL	7882-0040	50	1.880	.11	AL	MPB	5/16 - 15/16
P56-3M-06AL	7882-0042	56	2.105	.16	AL	MPB	5/16 - 15/16
P60-3M-06AL	7882-1086	60	2.256	.25	AL	MPB	5/16 - 15/16
P62-3M-06AL	7882-0044	62	2.331	.20	AL	MPB	5/16 - 15/16
P72-3M-06AL	7882-0046	72	2.707	.30	AL	MPB	5/16 - 15/16

3mm Pitch Sprockets - Aluminum - MPB Type — For Belts 9mm Wide

Part No.	Product No.	No. of Grooves	Pitch Dia. (In.)	Wt. Ea. (Lbs.)	Material	Bore or Bushing	Bore Range (In.)
P10-3M-09AL	7882-0002	10	.376	.05	AL	MPB	1/8 - 1/8
P11-3M-09AL	7882-1087	11	.414	.05	AL	MPB	1/8 - 1/8
P12-3M-09AL	7882-0004	12	.451	.01	AL	MPB	3/16 - 3/16
P13-3M-09AL	7882-1088	13	.489	.01	AL	MPB	3/16 - 3/16





PowerGrip® HTD® Sprockets

Product No. Series 7882 (continued)

3mm Pitch Sprockets - Aluminum - MPB Type — For Belts 9mm Wide (continued)

Part No.	Product No.	No. of Grooves	Pitch Dia. (In.)	Wt. Ea. (Lbs.)	Material	Bore or Bushing	Bore Range (In.)
P14-3M-09AL	7882-0006	14	.526	.02	AL	MPB	3/16 - 3/16
P15-3M-09AL	7882-0008	15	.564	.02	AL	MPB	3/16 - 3/16
P16-3M-09AL	7882-0010	16	.602	.02	AL	MPB	3/16 - 3/16
P17-3M-09AL	7882-0012	17	.639	.02	AL	MPB	3/16 - 3/16
P18-3M-09AL	7882-0013	18	.677	.02	AL	MPB	1/4 - 1/4
P19-3M-09AL	7882-0015	19	.714	.02	AL	MPB	1/4 - 1/4
P20-3M-09AL	7882-0017	20	.752	.02	AL	MPB	1/4 - 1/4
P22-3M-09AL	7882-0019	22	.827	.03	AL	MPB	1/4 - 1/4
P24-3M-09AL	7882-0021	24	.902	.03	AL	MPB	1/4 - 5/16
P25-3M-09AL	7882-1089	25	.940	.05	AL	MPB	1/4 - 5/16
P26-3M-09AL	7882-0023	26	.977	.04	AL	MPB	1/4 - 5/16
P28-3M-09AL	7882-0025	28	1.053	.05	AL	MPB	1/4 - 3/8
P30-3M-09AL	7882-0027	30	1.128	.06	AL	MPB	1/4 - 7/16
P32-3M-09AL	7882-0029	32	1.203	.06	AL	MPB	1/4 - 1/2
P34-3M-09AL	7882-0031	34	1.278	.09	AL	MPB	1/4 - 9/16
P36-3M-09AL	7882-0033	36	1.353	.09	AL	MPB	1/4 - 5/8
P38-3M-09AL	7882-0035	38	1.429	.12	AL	MPB	1/4 - 3/4
P40-3M-09AL	7882-0037	40	1.504	.13	AL	MPB	1/4 - 13/16
P44-3M-09AL	7882-0039	44	1.654	.25	AL	MPB	1/4 - 15/16
P48-3M-09AL	7882-1090	48	1.805	.20	AL	MPB	5/16 - 15/16
P50-3M-09AL	7882-0041	50	1.880	.17	AL	MPB	5/16 - 15/16
P56-3M-09AL	7882-0043	56	2.105	.20	AL	MPB	5/16 - 15/16
P60-3M-09AL	7882-1091	60	2.256	.25	AL	MPB	5/16 - 15/16
P62-3M-09AL	7882-0045	62	2.331	.25	AL	MPB	5/16 - 15/16
P72-3M-09AL	7882-0047	72	2.707	.31	AL	MPB	5/16 - 15/16

SYNCHRONOUS METAL

5mm Pitch Sprockets - Aluminum - MPB Type — For Belts 9mm Wide

Part No.	Product No.	No. of Grooves	Pitch Dia. (In.)	Wt. Ea. (Lbs.)	Material	Bore or Bushing	Bore Range (In.)
P12-5M-09AL	7882-1092	12	.752	.05	AL	MPB	1/4 - 1/4
P13-5M-09AL	7882-1093	13	.815	.05	AL	MPB	1/4 - 1/4
P14-5M-09AL	7882-1077	14	.877	.04	AL	MPB	1/4 - 1/4
P15-5M-09AL	7882-1004	15	.940	.04	AL	MPB	1/4 - 1/4
P16-5M-09AL	7882-1006	16	1.003	.04	AL	MPB	1/4 - 1/4
P17-5M-09AL	7882-1008	17	1.065	.05	AL	MPB	1/4 - 5/16
P18-5M-09AL	7882-1010	18	1.128	.06	AL	MPB	1/4 - 3/8
P19-5M-09AL	7882-1078	19	1.191	.10	AL	MPB	1/4 - 7/16
P20-5M-09AL	7882-1013	20	1.253	.06	AL	MPB	1/4 - 1/2
P22-5M-09AL	7882-1015	22	1.379	.08	AL	MPB	1/4 - 5/8
P24-5M-09AL	7882-1017	24	1.504	.05	AL	MPB	1/4 - 11/16
P25-5M-09AL	7882-1094	25	1.566	.10	AL	MPB	1/4 - 11/16
P26-5M-09AL	7882-1021	26	1.629	.15	AL	MPB	1/4 - 3/4
P28-5M-09AL	7882-1023	28	1.754	.17	AL	MPB	1/4 - 7/8
P30-5M-09AL	7882-1025	30	1.880	.05	AL	MPB	1/4 - 7/8
P32-5M-09AL	7882-1027	32	2.005	.05	AL	MPB	1/4 - 15/16
P34-5M-09AL	7882-1031	34	2.130	.25	AL	MPB	1/4 - 1 1/16
P36-5M-09AL	7882-1035	36	2.256	.25	AL	MPB	5/16 - 1 1/16
P38-5M-09AL	7882-1039	38	2.381	.30	AL	MPB	5/16 - 1 3/16
P40-5M-09AL	7882-1043	40	2.506	.35	AL	MPB	5/16 - 1 3/16
P44-5M-09AL	7882-1047	44	2.757	.30	AL	MPB	5/16 - 1 3/16
P48-5M-09AL	7882-1095	48	3.008	.45	AL	MPB	3/8 - 1 3/16
P50-5M-09AL	7882-1053	50	3.133	.35	AL	MPB	3/8 - 1 3/16
P56-5M-09AL	7882-1057	56	3.509	.40	AL	MPB	3/8 - 1 3/16
P60-5M-09AL	7882-1096	60	3.760	.65	AL	MPB	3/8 - 1 3/16
P62-5M-09AL	7882-1063	62	3.885	.35	AL	MPB	3/8 - 1 3/16
P70-5M-09AL	7882-1097	70	4.386	.85	AL	MPB	3/8 - 1 3/16
P72-5M-09AL	7882-1069	72	4.511	.85	AL	MPB	3/8 - 1 3/16





PowerGrip® HTD® Sprockets

Product No. Series 7882 (continued)

5mm Pitch Sprockets - Aluminum - MPB Type — For Belts 15mm Wide

Part No.	Product No.	No. of Grooves	Pitch Dia. (In.)	Wt. Ea. (Lbs.)	Material	Bore or Bushing	Bore Range (In.)
P12-5M-15AL	7882-1098	12	.752	.05	AL	MPB	1/4 - 1/4
P13-5M-15AL	7882-1099	13	.815	.05	AL	MPB	1/4 - 1/4
P14-5M-15AL	7882-1003	14	.877	.04	AL	MPB	1/4 - 1/4
P15-5M-15AL	7882-1005	15	.940	.04	AL	MPB	1/4 - 1/4
P16-5M-15AL	7882-1007	16	1.003	.05	AL	MPB	1/4 - 1/4
P17-5M-15AL	7882-1009	17	1.065	.06	AL	MPB	1/4 - 5/16
P18-5M-15AL	7882-1011	18	1.128	.08	AL	MPB	1/4 - 3/8
P19-5M-15AL	7882-1012	19	1.191	.08	AL	MPB	1/4 - 7/16
P20-5M-15AL	7882-1014	20	1.253	.09	AL	MPB	1/4 - 1/2
P22-5M-15AL	7882-1016	22	1.379	.05	AL	MPB	1/4 - 5/8
P24-5M-15AL	7882-1018	24	1.504	.05	AL	MPB	1/4 - 11/16
P25-5M-15AL	7882-1100	25	1.566	.15	AL	MPB	1/4 - 11/16
P26-5M-15AL	7882-1022	26	1.629	.05	AL	MPB	1/4 - 3/4
P28-5M-15AL	7882-1024	28	1.754	.05	AL	MPB	1/4 - 7/8
P30-5M-15AL	7882-1026	30	1.880	.20	AL	MPB	1/4 - 7/8
P32-5M-15AL	7882-1029	32	2.005	.25	AL	MPB	1/4 - 15/16
P34-5M-15AL	7882-1033	34	2.130	.28	AL	MPB	1/4 - 1 1/16
P36-5M-15AL	7882-1037	36	2.256	.20	AL	MPB	5/16 - 1 1/16
P38-5M-15AL	7882-1041	38	2.381	.35	AL	MPB	5/16 - 1 3/16
P40-5M-15AL	7882-1045	40	2.506	.25	AL	MPB	5/16 - 1 3/16
P44-5M-15AL	7882-1049	44	2.757	.40	AL	MPB	5/16 - 1 3/16
P48-5M-15AL	7882-1101	48	3.008	.60	AL	MPB	3/8 - 1 3/16
P50-5M-15AL	7882-1054	50	3.133	.35	AL	MPB	3/8 - 1 3/16
P56-5M-15AL	7882-1059	56	3.509	.35	AL	MPB	3/8 - 1 3/16
P60-5M-15AL	7882-1102	60	3.760	.90	AL	MPB	3/8 - 1 3/16
P62-5M-15AL	7882-1064	62	3.885	.60	AL	MPB	3/8 - 1 3/16
P70-5M-15AL	7882-1103	70	4.386	.58	AL	MPB	3/8 - 1 3/16
P72-5M-15AL	7882-1071	72	4.511	.65	AL	MPB	3/8 - 1 3/16

SYNCHRONOUS METAL

20mm Pitch Sprockets — For Belts 115mm Wide

Part No.	Product No.	No. of Grooves	Pitch Dia. (In.)	Wt. Ea. (Lbs.)	Material	Bore or Bushing	Bore Range (In.)
P34-20M-115	7882-4024	34	8.522	36.50	GI	F	1 - 3 15/16
P36-20M-115	7882-4026	36	9.023	46.30	GI	F	1 - 3 15/16
P38-20M-115	7882-4028	38	9.524	51.00	GI	F	1 - 3 15/16
P40-20M-115	7882-4031	40	10.026	57.40	GI	F	1 - 3 15/16
P44-20M-115	7882-4034	44	11.028	70.80	GI	F	1 - 3 15/16
P48-20M-115	7882-4037	48	12.031	90.90	GI	J	1 1/2 - 4 1/2
P52-20M-115	7882-4040	52	13.033	110.00	GI	J	1 1/2 - 4 1/2
P56-20M-115	7882-4045	56	14.036	106.00	GI	J	1 1/2 - 4 1/2
P60-20M-115	7882-4079	60	15.038	116.00	GI	J	1 1/2 - 4 1/2
P64-20M-115	7882-4054	64	16.041	127.00	GI	J	1 1/2 - 4 1/2
P68-20M-115	7882-4059	68	17.032	148.00	GI	J	1 1/2 - 4 1/2
P72-20M-115	7882-4064	72	18.046	122.00	GI	J	1 1/2 - 4 1/2
P80-20M-115	7882-4069	80	20.051	237.00	GI	M	2 - 5 1/2
P90-20M-115	7882-4074	90	22.557	275.00	GI	M	2 - 5 1/2
P112-20M-115	7882-4001	112	28.071	243.00	GI	M	2 - 5 1/2
P144-20M-115	7882-4080	144	36.092	612.00	GI	N	2 7/16 - 5 7/8
P168-20M-115	7882-4081	168	42.107	465.00	GI	N	2 7/16 - 5 7/8
P192-20M-115	7882-4014	192	48.122	786.00	GI	N	2 7/16 - 5 7/8
P216-20M-115	7882-4019	216	54.136	907.00	GI	N	2 7/16 - 5 7/8





PowerGrip® HTD® Sprockets

Product No. Series 7882 (continued)

20mm Pitch Sprockets — For Belts 170mm Wide

Part No.	Product No.	No. of Grooves	Pitch Dia. (In.)	Wt. Ea. (Lbs.)	Material	Bore or Bushing	Bore Range (In.)
P34-20M-170	7882-4025	34	8.522	87.20	GI	MPB	2 1/8 - 4 1/4
P36-20M-170	7882-4027	36	9.023	98.70	GI	MPB	2 1/8 - 4 1/2
P38-20M-170	7882-4029	38	9.524	62.00	GI	J	1 1/2 - 4 1/2
P40-20M-170	7882-4032	40	10.026	69.00	GI	J	1 1/2 - 4 1/2
P44-20M-170	7882-4035	44	11.028	88.10	GI	J	1 1/2 - 4 1/2
P48-20M-170	7882-4038	48	12.031	120.00	GI	M	2 - 5 1/2
P52-20M-170	7882-4041	52	13.033	149.00	GI	M	2 - 5 1/2
P56-20M-170	7882-4046	56	14.036	166.00	GI	M	2 - 5 1/2
P60-20M-170	7882-4050	60	15.038	199.00	GI	M	2 - 5 1/2
P64-20M-170	7882-4055	64	16.041	1.82	GI	M	2 - 5 1/2
P68-20M-170	7882-4060	68	17.032	198.00	GI	M	2 - 5 1/2
P72-20M-170	7882-4065	72	18.046	207.00	GI	M	2 - 5 1/2
P80-20M-170	7882-4070	80	20.051	262.00	GI	M	2 - 5 1/2
P90-20M-170	7882-4075	90	22.557	303.00	GI	M	2 - 5 1/2
P112-20M-170	7882-4002	112	28.071	473.00	GI	N	2 7/16 - 5 7/8
P144-20M-170	7882-4006	144	36.092	520.00	GI	N	2 7/16 - 5 7/8
P168-20M-170	7882-4010	168	42.107	619.00	GI	P	3 7/16 - 7
P192-20M-170	7882-4015	192	48.122	783.00	GI	P	3 7/16 - 7
P216-20M-170	7882-4020	216	54.136	820.00	GI	P	3 7/16 - 7

SYNCHRONOUS METAL

20mm Pitch Sprockets — For Belts 230mm Wide

Part No.	Product No.	No. of Grooves	Pitch Dia. (In.)	Wt. Ea. (Lbs.)	Material	Bore or Bushing	Bore Range (In.)
P38-20M-230	7882-4030	38	9.524	128.00	GI	MPB	2 7/8 - 4 3/4
P40-20M-230	7882-4033	40	10.026	156.00	GI	MPB	2 7/8 - 5 1/4
P44-20M-230	7882-4036	44	11.028	189.00	GI	MPB	2 7/8 - 6
P48-20M-230	7882-4039	48	12.031	140.00	GI	M	2 - 5 1/2
P52-20M-230	7882-4042	52	13.033	161.00	GI	M	2 - 5 1/2
P56-20M-230	7882-4047	56	14.036	193.00	GI	M	2 - 5 1/2
P60-20M-230	7882-4051	60	15.038	234.00	GI	M	2 - 5 1/2
P64-20M-230	7882-4056	64	16.041	270.00	GI	M	2 - 5 1/2
P68-20M-230	7882-4061	68	17.032	341.00	GI	N	2 7/16 - 5 7/8
P72-20M-230	7882-4066	72	18.046	410.00	GI	N	2 7/16 - 5 7/8
P80-20M-230	7882-4071	80	20.051	343.00	GI	N	2 7/16 - 5 7/8
P90-20M-230	7882-4076	90	22.557	398.00	GI	N	2 7/16 - 5 7/8
P112-20M-230	7882-4003	112	28.071	389.00	GI	N	2 7/16 - 5 7/8
P144-20M-230	7882-4007	144	36.092	552.00	GI	P	2 15/16 - 7
P168-20M-230	7882-4011	168	42.107	934.00	GI	P	2 15/16 - 7
P192-20M-230	7882-4016	192	48.122	1429.00	GI	W	4 - 8 1/2
P216-20M-230	7882-4021	216	54.136	1317.00	GI	W	4 - 8 1/2

20mm Pitch Sprockets — For Belts 290mm Wide

Part No.	Product No.	No. of Grooves	Pitch Dia. (In.)	Wt. Ea. (Lbs.)	Material	Bore or Bushing	Bore Range (In.)
P52-20M-290	7882-4043	52	13.033	202.00	GI	N	2 7/16 - 5 7/8
P56-20M-290	7882-4048	56	14.036	237.00	GI	N	2 7/16 - 5 7/8
P60-20M-290	7882-4052	60	15.038	276.00	GI	N	2 7/16 - 5 7/8
P64-20M-290	7882-4057	64	16.041	320.00	GI	N	2 7/16 - 5 7/8
P68-20M-290	7882-4062	68	17.032	368.00	GI	N	2 7/16 - 5 7/8
P72-20M-290	7882-4067	72	18.046	404.00	GI	N	2 7/16 - 5 7/8
P80-20M-290	7882-4072	80	20.051	376.00	GI	N	2 7/16 - 5 7/8
P90-20M-290	7882-4077	90	22.557	431.00	GI	N	2 7/16 - 5 7/8
P112-20M-290	7882-4004	112	28.071	799.00	GI	P	2 15/16 - 7





PowerGrip® HTD® Sprockets

Product No. Series 7882 (continued)

20mm Pitch Sprockets — For Belts 290mm Wide (continued)

Part No.	Product No.	No. of Grooves	Pitch Dia. (In.)	Wt. Ea. (Lbs.)	Material	Bore or Bushing	Bore Range (In.)
P144-20M-290	7882-4008	144	36.092	1004.00	GI	P	2 15/16 - 7
P168-20M-290	7882-4012	168	42.107	1410.00	GI	W	4 - 8 1/2
P192-20M-290	7882-4017	192	48.122	1552.00	GI	W	4 - 8 1/2
P216-20M-290	7882-4022	216	54.136	1441.00	GI	W	4 - 8 1/2

20mm Pitch Sprockets — For Belts 340mm Wide

Part No.	Product No.	No. of Grooves	Pitch Dia. (In.)	Wt. Ea. (Lbs.)	Material	Bore or Bushing	Bore Range (In.)
P52-20M-340	7882-4044	52	13.033	219.00	GI	N	2 7/16 - 5 7/8
P56-20M-340	7882-4049	56	14.036	258.00	GI	N	2 7/16 - 5 7/8
P60-20M-340	7882-4053	60	15.038	294.00	GI	N	2 7/16 - 5 7/8
P64-20M-340	7882-4058	64	16.041	339.00	GI	N	2 7/16 - 5 7/8
P68-20M-340	7882-4063	68	17.032	389.00	GI	N	2 7/16 - 5 7/8
P72-20M-340	7882-4068	72	18.046	438.00	GI	N	2 7/16 - 5 7/8
P80-20M-340	7882-4073	80	20.051	462.00	GI	P	2 15/16 - 7
P90-20M-340	7882-4078	90	22.557	507.00	GI	P	2 15/16 - 7
P112-20M-340	7882-4005	112	28.071	870.00	GI	P	2 15/16 - 7
P144-20M-340	7882-4009	144	36.092	1215.00	GI	W	4 - 8 1/2
P168-20M-340	7882-4013	168	42.107	1514.00	GI	W	4 - 8 1/2
P192-20M-340	7882-4018	192	48.122	1817.00	GI	S	5 1/2 - 10
P216-20M-340	7882-4023	216	54.136	1601.00	GI	S	5 1/2 - 10

SYNCHRONOUS METAL





PowerGrip® Timing Pulleys

Markets/Applications

Use with PowerGrip Timing Belts.

Features/Advantages

- Full split in bushing allows easy installation and removal.
- Precise sprocket design produces positive, press fit to shaft.
- Precision manufactured and static balanced to eliminate sprocket wobble.



Notes

Gates PowerGrip Timing Pulleys are measured by number of grooves, pitch and width. For example; part number TL30L050 denotes "TL" for Taper-Lock®, 30 grooves, L (.375") pitch and 1/2" width.

Pitch — The pitch of a PowerGrip Timing Pulley is the distance from center to center of the grooves (in inches). The letters correspond to pitches as follows:

MXL = Mini Extra Light = 0.080" pitch;

XL = Extra Light = 0.200" pitch;

L = Light = 0.375" pitch;

H = Heavy = 0.500" pitch.

Width — The width designation is in hundredths of inches and corresponds to the width of the widest belt that can operate in the pulley.

The complete pulley designation must be used when ordering a Gates PowerGrip Pulley.

Abbreviations used for pulley bore: MPB=Minimum Plain Bore. Abbreviations used for pulley materials: AL=Aluminum, ST=Steel, SiS=Sintered Steel, GI=Gray Iron, DI=Ductile Iron.

MXL and XL MPB pulleys are supplied with set screws. L and H pulleys are not supplied with keyway and set screws.

WARNING: Do **NOT** use these sprockets with rim speeds in excess of 6,500 fpm.

SYNCHRONOUS METAL

Product No. Series 7826

2/25" Pitch (0.08"/MXL) - Mini Extra Light — For Belts 1/8" Wide

Part No.	Product No.	No. of Grooves	Pitch Dia. (In.)	Wt. Ea. (Lbs.)	Material	Bore or Bushing	Bore Range (In.)
PB10MXL012	7826-0273	10	.255	.05	AL	MPB	1/8 - 1/8
PB11MXL012	7826-0274	11	.280	.05	AL	MPB	1/8 - 1/8
PB12MXL012	7826-0275	12	.306	.05	AL	MPB	1/8 - 1/8
PB14MXL012	7826-0276	14	.357	.05	AL	MPB	3/16 - 3/16
PB15MXL012	7826-0277	15	.382	.05	AL	MPB	3/16 - 3/16
PB16MXL012	7826-0278	16	.407	.05	AL	MPB	3/16 - 1/4
PB18MXL012	7826-0279	18	.458	.05	AL	MPB	3/16 - 3/16
PB20MXL012	7826-0280	20	.509	.05	AL	MPB	3/16 - 3/16
PB21MXL012	7826-0281	21	.535	.05	AL	MPB	3/16 - 3/16
PB22MXL012	7826-0282	22	.560	.05	AL	MPB	3/16 - 3/16
PB24MXL012	7826-0283	24	.611	.05	AL	MPB	1/4 - 1/4
PB28MXL012	7826-0284	28	.713	.05	AL	MPB	1/4 - 1/4
PB30MXL012	7826-0285	30	.764	.05	AL	MPB	1/4 - 5/16
PB32MXL012	7826-0286	32	.815	.05	AL	MPB	1/4 - 3/8
PB36MXL012	7826-0287	36	.917	.05	AL	MPB	1/4 - 3/8
PB40MXL012	7826-0288	40	1.019	.05	AL	MPB	1/4 - 1/2
PB42MXL012	7826-0289	42	1.070	.05	AL	MPB	1/4 - 1/2
PB44MXL012	7826-0290	44	1.120	.05	AL	MPB	1/4 - 5/8
PB48MXL012	7826-0291	48	1.222	.05	AL	MPB	1/4 - 5/8
PB60MXL012	7826-0292	60	1.528	.05	AL	MPB	1/4 - 3/4

2/25" Pitch (0.08"/MXL) - Mini Extra Light — For Belts 1/8", 3/16" and 1/4" Wide

Part No.	Product No.	No. of Grooves	Pitch Dia. (In.)	Wt. Ea. (Lbs.)	Material	Bore or Bushing	Bore Range (In.)
PB10MXL025	7826-0010	10	.255	.05	AL	MPB	1/8 - 1/8
PB11MXL025	7826-0011	11	.280	.07	AL	MPB	1/8 - 1/8
PB12MXL025	7826-0012	12	.306	.08	AL	MPB	1/8 - 1/8
PB14MXL025	7826-0014	14	.357	.01	AL	MPB	1/8 - 1/8
PB15MXL025	7826-0015	15	.382	.01	AL	MPB	3/16 - 3/16
PB16MXL025	7826-0016	16	.407	.01	AL	MPB	3/16 - 3/16
PB18MXL025	7826-0118	18	.458	.02	AL	MPB	3/16 - 3/16
PB20MXL025	7826-0120	20	.509	.01	AL	MPB	3/16 - 3/16





PowerGrip® Timing Pulleys

Product No. Series 7826 (continued)

2/25" Pitch (0.08"/MXL) - Mini Extra Light — For Belts 1/8", 3/16" and 1/4" Wide (continued)

Part No.	Product No.	No. of Grooves	Pitch Dia. (In.)	Wt. Ea. (Lbs.)	Material	Bore or Bushing	Bore Range (In.)
PB21MXL025	7826-0121	21	.535	.02	AL	MPB	3/16 - 3/16
PB22MXL025	7826-0122	22	.560	.03	AL	MPB	3/16 - 3/16
PB24MXL025	7826-0124	24	.611	.04	AL	MPB	1/4 - 1/4
PB25MXL025	7826-0293	25	.637	.05	AL	MPB	1/4 - 1/4
PB28MXL025	7826-0128	28	.713	.02	AL	MPB	1/4 - 1/4
PB30MXL025	7826-0130	30	.764	.02	AL	MPB	1/4 - 1/4
PB32MXL025	7826-0132	32	.815	.04	AL	MPB	1/4 - 1/4
PB36MXL025	7826-0136	36	.917	.05	AL	MPB	1/4 - 1/4
PB40MXL025	7826-0140	40	1.019	.05	AL	MPB	1/4 - 1/4
PB42MXL025	7826-0142	42	1.070	.07	AL	MPB	1/4 - 1/4
PB44MXL025	7826-0144	44	1.120	.08	AL	MPB	1/4 - 1/4
PB48MXL025	7826-0148	48	1.222	.01	AL	MPB	1/4 - 1/4
PB60MXL025	7826-0160	60	1.528	.10	AL	MPB	1/4 - 1/4
PB72MXL025	7826-0272	72	1.833	.25	AL	MPB	1/4 - 1/4
PB80MXL025	7826-0180	80	2.037	.20	AL	MPB	5/16 - 5/16
PB90MXL025	7826-0294	90	2.292	.25	AL	MPB	5/16 - 3/4
PB100MXL025	7826-0295	100	2.546	.30	AL	MPB	5/16 - 3/4
PB120MXL025	7826-0296	120	3.056	.30	AL	MPB	3/8 - 3/4

SYNCHRONOUS METAL

Product No. Series 7823 & 7881

1/5" Pitch (.200"/XL) - Extra Light Duty — For Belts 1/4" Wide

Part No.	Product No.	No. of Grooves	Pitch Dia. (In.)	Wt. Ea. (Lbs.)	Material	Bore or Bushing	Bore Range (In.)
PB10XL025	7823-1500	10	.637	.05	AL	MPB	3/16 - 1/4
PB11XL025	7823-1501	11	.700	.05	AL	MPB	3/16 - 1/4
PB12XL025	7823-1502	12	.764	.05	AL	MPB	3/16 - 5/16
PB13XL025	7823-1503	13	.828	.05	AL	MPB	1/4 - 5/16
PB14XL025	7823-1504	14	.891	.05	AL	MPB	1/4 - 3/8
PB15XL025	7823-1505	15	.955	.05	AL	MPB	1/4 - 1/2
PB16XL025	7823-1506	16	1.019	.05	AL	MPB	5/16 - 1/2
PB18XL025	7823-1507	18	1.146	.05	AL	MPB	1/4 - 1/2
PB20XL025	7823-1508	20	1.273	.10	AL	MPB	1/4 - 1/2
PB21XL025	7823-1509	21	1.337	.10	AL	MPB	1/4 - 1/2
PB22XL025	7823-1510	22	1.401	.10	AL	MPB	1/4 - 5/8
PB24XL025	7823-1511	24	1.528	.10	AL	MPB	1/4 - 5/8
PB26XL025	7823-1512	26	1.655	.15	AL	MPB	1/4 - 5/8
PB28XL025	7823-1513	28	1.783	.10	AL	MPB	1/4 - 3/4
PB30XL025	7823-1514	30	1.910	.20	AL	MPB	1/4 - 3/4

1/5" Pitch (.200"/XL) - Extra Light Duty — For Belts 1/4" and 3/8" Wide

Part No.	Product No.	No. of Grooves	Pitch Dia. (In.)	Wt. Ea. (Lbs.)	Material	Bore or Bushing	Bore Range (In.)
PB10XL037	7823-0101	10	.637	.03	ST	MPB	3/16 - 3/16
PB11XL037	7823-0106	11	.700	.09	ST	MPB	3/16 - 3/16
PB12XL037	7823-0111	12	.764	.10	ST	MPB	3/16 - 1/4
PB13XL037	7823-1515	13	.828	.05	AL	MPB	1/4 - 5/16
PB14XL037	7823-0121	14	.891	.13	ST	MPB	1/4 - 1/4
PB15XL037	7823-0126	15	.955	.04	ST	MPB	1/4 - 5/16
PB16XL037	7823-0131	16	1.019	.17	ST	MPB	1/4 - 3/8
PB17XL037	7823-1516	17	1.082	.05	AL	MPB	1/4 - 1/2
PB18XL037	7823-0141	18	1.146	.20	ST	MPB	1/4 - 1/2
PB19XL037	7823-1517	19	1.210	.05	AL	MPB	1/4 - 1/2
PB20XL037	7823-0151	20	1.273	.10	ST	MPB	1/4 - 9/16
PB21XL037	7823-0156	21	1.337	.27	ST	MPB	1/4 - 9/16
PB22XL037	7823-0161	22	1.401	.20	ST	MPB	1/4 - 3/4
PB23XL037	7823-1518	23	1.464	.15	AL	MPB	1/4 - 5/8





PowerGrip® Timing Pulleys

Product No. Series 7823 & 7881 (continued)

1/5" Pitch (.200"/XL) - Extra Light Duty — For Belts 1/4" and 3/8" Wide (continued)

Part No.	Product No.	No. of Grooves	Pitch Dia. (In.)	Wt. Ea. (Lbs.)	Material	Bore or Bushing	Bore Range (In.)
PB24XL037	7823-0166	24	1.528	.35	ST	MPB	1/4 - 11/16
PB25XL037	7823-1519	25	1.592	.10	AL	MPB	1/4 - 5/8
PB26XL037	7823-1520	26	1.655	.15	AL	MPB	1/4 - 3/4
PB28XL037	7823-0176	28	1.783	.40	ST	MPB	1/4 - 13/16
PB30XL037	7823-0181	30	1.910	.45	ST	MPB	5/16 - 15/16
PB32XL037	7823-0186	32	2.037	.15	AL	MPB	5/16 - 1
TL32XL037	7881-6032	32	2.037	.34	SiS	1108	1/2 - 1
PB36XL037	7823-0196	36	2.292	.29	AL	MPB	5/16 - 1
TL36XL037	7881-6036	36	2.292	.50	SiS	1108	1/2 - 1
PB40XL037	7823-0201	40	2.546	.60	AL	MPB	5/16 - 1
TL40XL037	7881-6040	40	2.546	.65	SiS	1108	1/2 - 1
PB42XL037	7823-0206	42	2.674	.30	AL	MPB	5/16 - 1
TL42XL037	7881-6042	42	2.674	.77	SiS	1108	1/2 - 1
PB44XL037	7823-0211	44	2.801	.30	AL	MPB	5/16 - 1
TL44XL037	7881-6044	44	2.801	.97	SiS	1108	1/2 - 1
PB45XL037	7823-1521	45	2.865	.45	AL	MPB	5/16 - 1
PB48XL037	7823-0216	48	3.056	1.19	AL	MPB	5/16 - 1
TL48XL037	7881-6048	48	3.056	1.23	SiS	1108	1/2 - 1
PB50XL037	7823-1522	50	3.183	.45	AL	MPB	5/16 - 1
PB60XL037	7823-0221	60	3.820	2.02	AL	MPB	3/8 - 1
TL60XL037	7881-6060	60	3.820	2.15	SiS	1210	1/2 - 1 1/4
PB72XL037	7823-0226	72	4.584	.65	AL	MPB	3/8 - 1
TL72XL037	7881-6072	72	4.584	2.90	SiS	1610	1/2 - 1 11/16

SYNCHRONOUS METAL

3/8" Pitch (.375"/L) - Light Duty — For Belts 1/2" Wide

Part No.	Product No.	No. of Grooves	Pitch Dia. (In.)	Wt. Ea. (Lbs.)	Material	Bore or Bushing	Bore Range (In.)
PB10L050	7823-0301	10	1.194	.15	ST	MPB	3/8 - 1/2
PB12L050	7823-0311	12	1.432	.38	ST	MPB	3/8 - 3/4
PB13L050	7823-1523	13	1.552	.50	ST	MPB	3/8 - 3/4
PB14L050	7823-0321	14	1.671	.52	ST	MPB	3/8 - 3/4
PB15L050	7823-1524	15	1.790	.65	ST	MPB	1/2 - 7/8
PB16L050	7823-0331	16	1.910	.69	ST	MPB	1/2 - 1
PB17L050	7823-0336	17	2.029	.65	ST	MPB	1/2 - 1
TL18L050	7881-7001	18	2.149	.37	SiS	1108	1/2 - 1
PB19L050	7823-0346	19	2.268	.80	ST	MPB	1/2 - 1 3/16
TL20L050	7881-7004	20	2.387	.54	SiS	1108	1/2 - 1
PB21L050	7823-0356	21	2.507	1.25	ST	MPB	1/2 - 1 1/4
TL22L050	7881-7007	22	2.626	.73	SiS	1108	1/2 - 1
TL24L050	7881-7010	24	2.865	.79	SiS	1210	1/2 - 1 1/4
TL26L050	7881-7013	26	3.104	1.05	SiS	1210	1/2 - 1 1/4
TL28L050	7881-7016	28	3.342	1.34	SiS	1210	1/2 - 1 1/4
TL30L050	7881-7019	30	3.581	1.32	SiS	1610	1/2 - 1 5/8
TL32L050	7881-7022	32	3.820	1.65	SiS	1610	1/2 - 1 5/8
PB36L050	7823-1525	36	4.297	4.35	ST	MPB	1/2 - 2 5/16
TL40L050	7881-7054	40	4.775	3.23	GI	2012	1/2 - 2 1/8
TL48L050	7881-7055	48	5.730	4.83	GI	2012	1/2 - 2 1/8
TL60L050	7881-7056	60	7.162	7.17	GI	2012	1/2 - 2 1/8
TL72L050	7881-7057	72	8.594	8.98	GI	2012	1/2 - 2 1/8
TL84L050	7881-7058	84	10.027	16.83	GI	2517	1/2 - 2 11/16





PowerGrip® Timing Pulleys

Product No. Series 7823 & 7881 (continued)

3/8" Pitch (.375"/L) - Light Duty — For Belts 3/4" Wide

Part No.	Product No.	No. of Grooves	Pitch Dia. (In.)	Wt. Ea. (Lbs.)	Material	Bore or Bushing	Bore Range (In.)
PB12L075	7823-0511	12	1.432	.40	ST	MPB	3/8 - 3/4
PB13L075	7823-1526	13	1.552	.60	ST	MPB	3/8 - 3/4
PB14L075	7823-0521	14	1.671	.55	ST	MPB	3/8 - 3/4
PB15L075	7823-1527	15	1.790	.80	ST	MPB	1/2 - 7/8
PB16L075	7823-0531	16	1.910	.84	ST	MPB	1/2 - 1 1/8
PB17L075	7823-0536	17	2.029	.80	ST	MPB	1/2 - 1 1/8
TL18L075	7881-7002	18	2.149	.45	SiS	1108	1/2 - 1
PB19L075	7823-0546	19	2.268	.60	ST	MPB	5/8 - 7/8
TL20L075	7881-7005	20	2.387	.66	SiS	1108	1/2 - 1
PB21L075	7823-0556	21	2.507	1.65	ST	MPB	5/8 - 1 1/4
TL22L075	7881-7008	22	2.626	.88	SiS	1108	1/2 - 1
TL24L075	7881-7011	24	2.865	.91	SiS	1210	1/2 - 1 1/4
TL26L075	7881-7014	26	3.104	1.20	SiS	1210	1/2 - 1 1/4
TL28L075	7881-7017	28	3.342	1.18	SiS	1610	1/2 - 1 5/8
TL30L075	7881-7020	30	3.581	1.50	SiS	1610	1/2 - 1 5/8
TL32L075	7881-7023	32	3.820	1.92	SiS	1610	1/2 - 1 5/8
PB36L075	7823-1528	36	4.297	5.25	ST	MPB	1/2 - 2 5/16
TL40L075	7881-7059	40	4.775	3.55	GI	2012	1/2 - 2 1/8
TL48L075	7881-7060	48	5.730	5.60	GI	2012	1/2 - 2 1/8
TL60L075	7881-7061	60	7.162	7.86	GI	2012	1/2 - 2 1/8
TL72L075	7881-7062	72	8.594	10.10	GI	2012	1/2 - 2 1/8
TL84L075	7881-7063	84	10.027	20.52	GI	2517	1/2 - 2 11/16

SYNCHRONOUS METAL

3/8" Pitch (.375"/L) - Light Duty — For Belts 1" Wide

Part No.	Product No.	No. of Grooves	Pitch Dia. (In.)	Wt. Ea. (Lbs.)	Material	Bore or Bushing	Bore Range (In.)
PB13L100	7823-1529	13	1.552	.70	ST	MPB	3/8 - 3/4
PB14L100	7823-0721	14	1.671	.70	ST	MPB	3/8 - 3/4
PB15L100	7823-1530	15	1.790	.95	ST	MPB	1/2 - 7/8
PB16L100	7823-0731	16	1.910	1.05	ST	MPB	1/2 - 1
PB17L100	7823-0736	17	2.029	1.10	ST	MPB	1/2 - 1
TL18L100	7881-7003	18	2.149	.54	SiS	1108	1/2 - 1
PB19L100	7823-0746	19	2.268	1.40	ST	MPB	5/8 - 7/8
TL20L100	7881-7006	20	2.387	1.60	SiS	1108	1/2 - 1
PB21L100	7823-0756	21	2.507	1.85	ST	MPB	5/8 - 1 1/4
TL22L100	7881-7009	22	2.626	1.07	SiS	1108	1/2 - 1
TL24L100	7881-7012	24	2.865	1.10	SiS	1210	1/2 - 1 1/4
TL26L100	7881-7015	26	3.104	1.43	SiS	1210	1/2 - 1 1/4
TL28L100	7881-7018	28	3.342	1.48	SiS	1610	1/2 - 1 5/8
TL30L100	7881-7021	30	3.581	1.86	SiS	1610	1/2 - 1 5/8
TL32L100	7881-7024	32	3.820	2.48	GI	1610	1/2 - 1 5/8
PB36L100	7823-1532	36	4.297	6.20	ST	MPB	1/2 - 2 5/16
TL40L100	7881-7064	40	4.775	3.88	GI	2012	1/2 - 2 1/8
TL48L100	7881-7065	48	5.730	6.43	GI	2012	1/2 - 2 1/8
TL60L100	7881-7066	60	7.162	8.55	GI	2012	1/2 - 2 1/8
TL72L100	7881-7067	72	8.594	10.79	GI	2012	1/2 - 2 1/8
TL84L100	7881-7068	84	10.027	23.24	GI	2517	1/2 - 2 11/16

Product No. Series 7881

1/2" Pitch (.500"/H) - Heavy Duty — For Belts 3/4" and 1" Wide

Part No.	Product No.	No. of Grooves	Pitch Dia. (In.)	Wt. Ea. (Lbs.)	Material	Bore or Bushing	Bore Range (In.)
TL14H100	7881-7025	14	2.228	.63	SiS	1108	1/2 - 1
TL16H100	7881-7027	16	2.546	1.00	SiS	1108	1/2 - 1
TL18H100	7881-7030	18	2.865	1.17	SiS	1210	1/2 - 1 1/4





PowerGrip® Timing Pulleys

Product No. Series 7881 (continued)

1/2" Pitch (.500"/H) - Heavy Duty — For Belts 3/4" and 1" Wide (continued)

Part No.	Product No.	No. of Grooves	Pitch Dia. (In.)	Wt. Ea. (Lbs.)	Material	Bore or Bushing	Bore Range (In.)
TL20H100	7881-7034	20	3.183	1.62	SiS	1210	1/2 - 1 1/4
TL22H100	7881-7038	22	3.501	1.81	SiS	1610	1/2 - 1 5/8
TL24H100	7881-7041	24	3.820	2.42	SiS	1610	1/2 - 1 5/8
TL26H100	7881-7045	26	4.138	2.60	DI	2012	1/2 - 2 1/8
TL28H100	7881-7049	28	4.456	3.41	GI	2012	1/2 - 1 5/8
TL30H100	7881-7069	30	4.775	4.08	GI	2012	1/2 - 2 1/8
TL32H100	7881-7070	32	5.093	4.61	GI	2517	1/2 - 2 11/16
TL40H100	7881-7071	40	6.366	8.75	GI	2517	1/2 - 2 11/16
TL48H100	7881-7072	48	7.639	13.66	GI	2517	1/2 - 2 11/16
TL60H100	7881-7073	60	9.549	20.78	GI	3020	7/8 - 3 1/4
TL72H100	7881-7074	72	11.459	24.52	GI	3020	7/8 - 3 1/4
TL84H100	7881-7075	84	13.369	28.26	GI	3020	7/8 - 3 1/4
TL96H100	7881-7076	96	15.279	34.20	GI	3020	7/8 - 3 1/4
TL120H100	7881-7077	120	19.099	42.13	GI	3020	7/8 - 3 1/4

1/2" Pitch (.500"/H) - Heavy Duty — For Belts 1 1/2" Wide

Part No.	Product No.	No. of Grooves	Pitch Dia. (In.)	Wt. Ea. (Lbs.)	Material	Bore or Bushing	Bore Range (In.)
TL14H150	7881-7026	14	2.228	.84	SiS	1108	1/2 - 1
TL16H150	7881-7028	16	2.546	1.34	SiS	1008	1/2 - 1
TL18H150	7881-7031	18	2.865	1.55	SiS	1215	1/2 - 1 1/4
TL20H150	7881-7035	20	3.183	2.14	SiS	1215	1/2 - 1 1/4
TL22H150	7881-7053	22	3.501	2.49	SiS	1615	1/2 - 1 5/8
TL24H150	7881-7042	24	3.820	2.33	GI	2012	1/2 - 1 5/8
TL26H150	7881-7046	26	4.138	3.25	GI	2012	1/2 - 2 1/8
TL28H150	7881-7050	28	4.456	4.18	GI	2012	1/2 - 2 1/8
TL30H150	7881-7078	30	4.775	4.97	GI	2012	1/2 - 2 1/8
TL32H150	7881-7079	32	5.093	5.39	GI	2517	1/2 - 2 11/16
TL40H150	7881-7080	40	6.366	10.99	GI	2517	1/2 - 2 11/16
TL48H150	7881-7081	48	7.639	11.40	GI	2517	1/2 - 2 11/16
TL60H150	7881-7082	60	9.549	22.28	GI	3020	7/8 - 3 1/4
TL72H150	7881-7083	72	11.459	26.78	GI	3020	7/8 - 3 1/4
TL84H150	7881-7084	84	13.369	31.75	GI	3020	7/8 - 3 1/4
TL96H150	7881-7085	96	15.279	38.03	GI	3020	7/8 - 3 1/4
TL120H150	7881-7086	120	19.099	49.49	GI	3020	7/8 - 3 1/4

1/2" Pitch (.500"/H) - Heavy Duty — For Belts 2" Wide

Part No.	Product No.	No. of Grooves	Pitch Dia. (In.)	Wt. Ea. (Lbs.)	Material	Bore or Bushing	Bore Range (In.)
TL16H200	7881-7029	16	2.546	1.90	GI	1008	1/2 - 1
TL18H200	7881-7032	18	2.865	1.98	GI	1215	1/2 - 1 1/4
TL20H200	7881-7036	20	3.183	2.74	GI	1215	1/2 - 1 1/4
TL22H200	7881-7039	22	3.501	3.04	GI	1615	1/2 - 1 5/8
TL24H200	7881-7043	24	3.820	2.87	GI	2012	1/2 - 2 1/8
TL26H200	7881-7047	26	4.138	3.73	GI	2012	1/2 - 2 1/8
TL28H200	7881-7051	28	4.456	5.16	GI	2012	1/2 - 2 1/8
TL30H200	7881-7087	30	4.775	6.04	GI	2012	1/2 - 2 1/8
TL32H200	7881-7088	32	5.093	6.59	GI	2517	1/2 - 2 11/16
TL40H200	7881-7089	40	6.366	11.80	GI	2517	1/2 - 2 11/16
TL48H200	7881-7090	48	7.639	17.70	GI	3020	1/2 - 2 11/16
TL60H200	7881-7091	60	9.549	24.47	GI	3020	7/8 - 3 1/4
TL72H200	7881-7092	72	11.459	21.00	GI	3020	7/8 - 3 1/4
TL84H200	7881-7093	84	13.369	35.63	GI	3020	7/8 - 3 1/4
TL96H200	7881-7094	96	15.279	51.50	GI	3535	7/8 - 3 1/4
TL120H200	7881-7095	120	19.099	54.77	GI	3020	7/8 - 3 1/4

SYNCHRONOUS METAL

